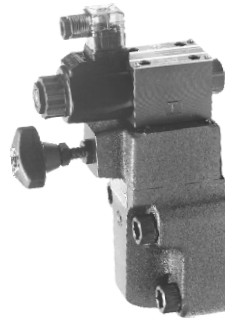


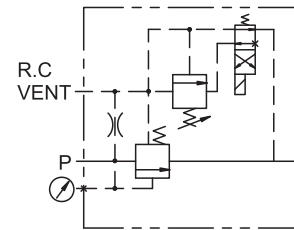


SOLENOID CONTROLLED PILOT OPERATED RELIEF VALVE

SRF SERIES



Symbol



HOW TO ORDER

SRF	-G	06	-2P	-1-2	-A220	-10	-32	-A1	-N
Series	Mounting Style	Nominal Size	Control Type	Pressure Adj. Range(bar)	Coil Voltage	Wiring	Design Code	Solenoid Valve Position	Pipe Threads
Solenoid Controlled Pilot Operated Relief Valve	G: Subplate Mounted T: Threaded Connection	①	②	1: 7-70 2: 35-140 3: 70-250	③	④	32	⑤ A1: Horizontal No Code: Vertical	N: NPT Pipe Threads No Code: PT Pipe Threads

① Nominal Size

Model Code	Port Size
04	1/2"
06	3/4"
10	1-1/4"

③ Coil Voltage

Coil Type	Voltage
A110	AC110V,60Hz;AC100V,50Hz
A120	AC120V,60Hz;AC110V,50Hz
A220	AC220V,60Hz;AC200V,50Hz
A240	AC240V,60Hz;AC220V,50Hz
R110	AC110V,60Hz;AC100V,50Hz
R120	AC120V,60Hz;AC110V,50Hz
R220	AC220V,60Hz;AC200V,50Hz
R240	AC240V,60Hz;AC220V,50Hz
D12	D12V
D24	D24V

② Control Type

Model	Control Type	Model	Control Type
1PN	Normally Vented	2PN	Dual Pressure And Vent
1NP	Energized To Vent		
2P	Dual Pressure Adj. Range	3P	Three Pressure Adj. Range

④ Wiring

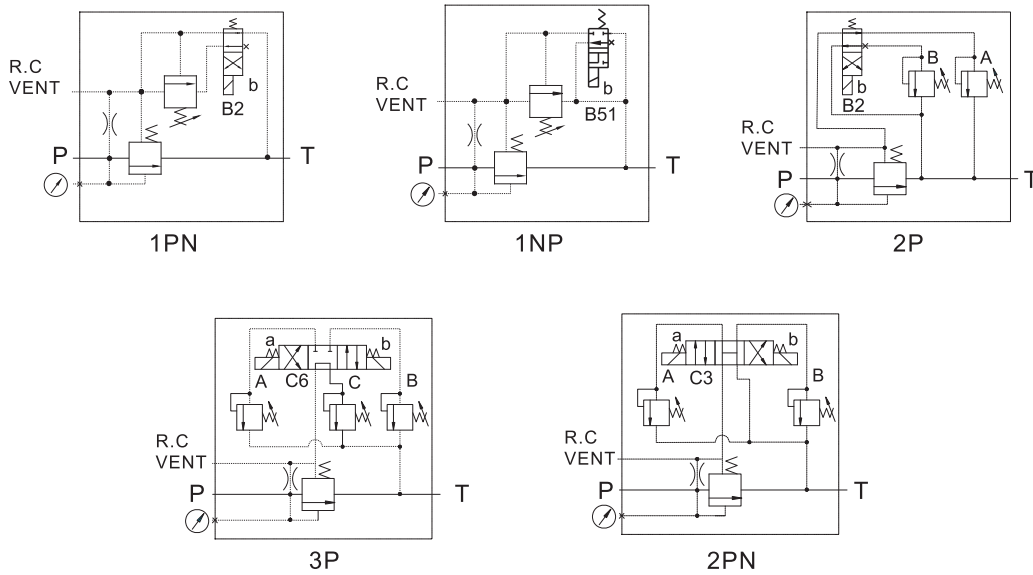
10	Joint Box with Indicating Lights
20	Hirschmann Type with Indicating Lights

⑤ This option is only for 1PN and 1NP, other control methods without this option.

SPECIFICATIONS

Model No.	Max. Operated Pressure (bar)	Pressure Adj. Range (bar)	Max. Flow (L/min)
SRF-G/T04	250	1: 7-70	100
SRF-G/T06		2: 35-140	200
SRF-G/T10		3: 70-250	400

■ SYMBOLS & FUNCTION TABLES



Model Code	Input		Output
	Sol.b	Sol.a	
1PN	OFF	NON	Vented
	ON		Adjustables Pressure
1NP	OFF	NON	Adjustables Pressure
	ON		Vented
2P	OFF	NON	Adjustables Pressure At "A"
	ON		Adjustables Pressure At "B"
2PN	OFF	OFF	Vented
	ON	OFF	Adjustables Pressure At "B"
	OFF	ON	Adjustables Pressure At "A"
3P	OFF	OFF	Adjustables Pressure At "C"
	ON	OFF	Adjustables Pressure At "B"
	OFF	ON	Adjustables Pressure At "A"