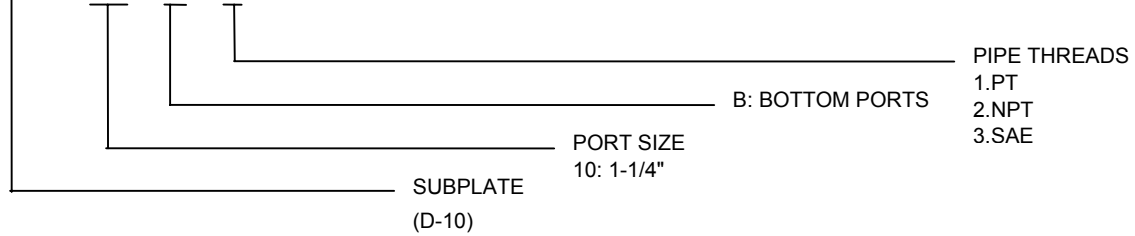


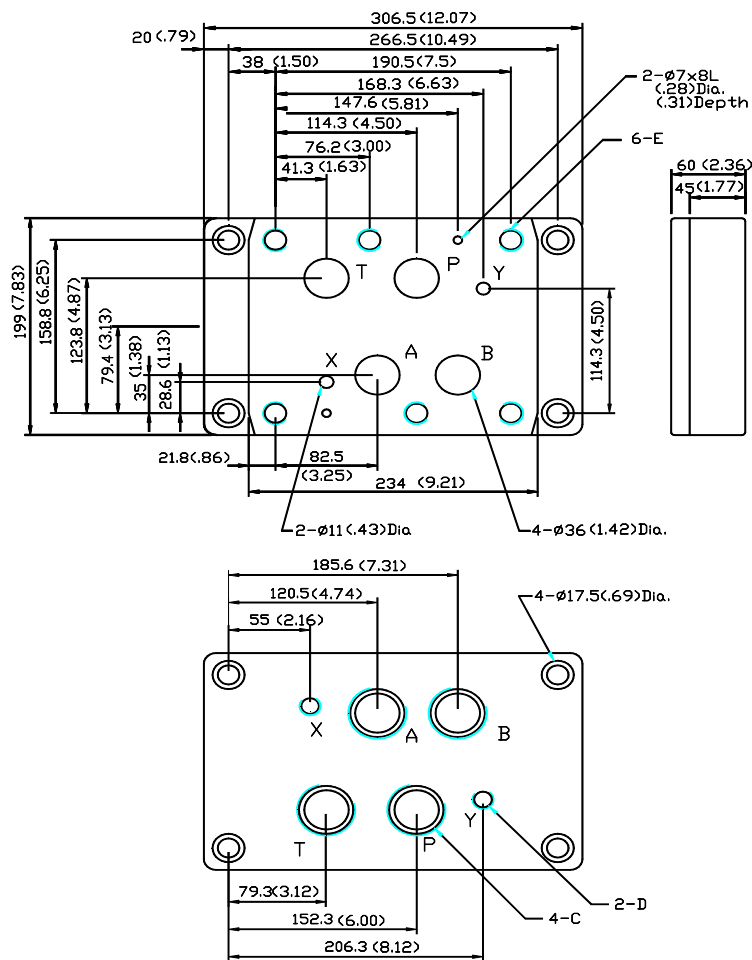
HOW TO ORDER

M10 - 10 - B - 1



INSTALLATION DIMENSIONS

UNIT:mm (inch)
WEIGHT: 27kgs(lbs)

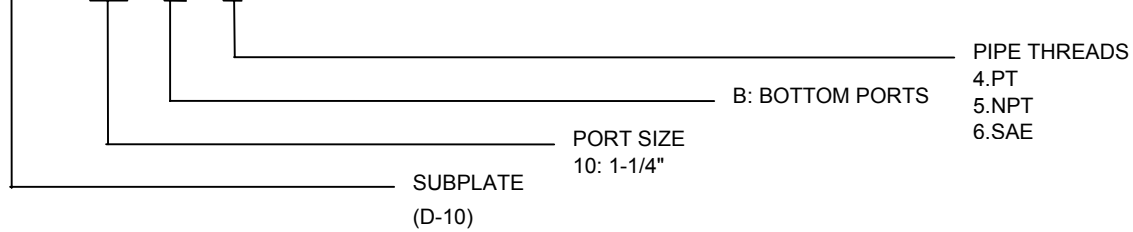


MODEL		C	D	E
M10-10-B	-1	1-1/4"PT	3/8"PT	M20x2.5P
	-2	1-1/4"NPT	3/8" NPT	3/4"-10UNC
	-3	1-1/4"SAE-2B	3/8"SAE-2B	3/4"-10UNC



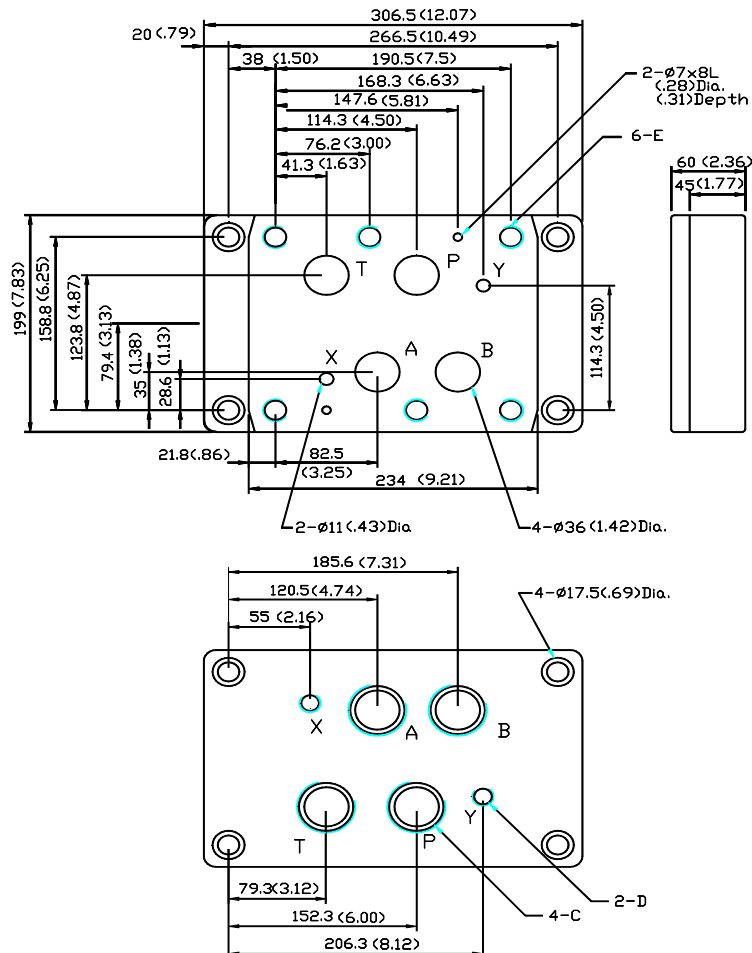
HOW TO ORDER

M10 - 10 - B - 1



INSTALLATION DIMENSIONS

UNIT:mm (inch)
WEIGHT: 27kgs(lbs)



MODEL		C	D	E
M10-10-B	-1	1-1/4"PT	3/8"PT	M20x2.5P
	-2	1-1/4"NPT	3/8" NPT	3/4"-10UNC
	-3	1-1/4"SAE-2B	3/8"SAE-2B	3/4"-10UNC



