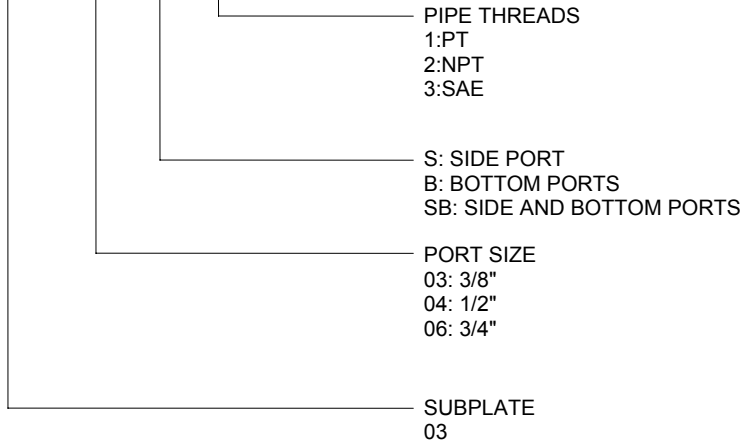


HOW TO ORDER

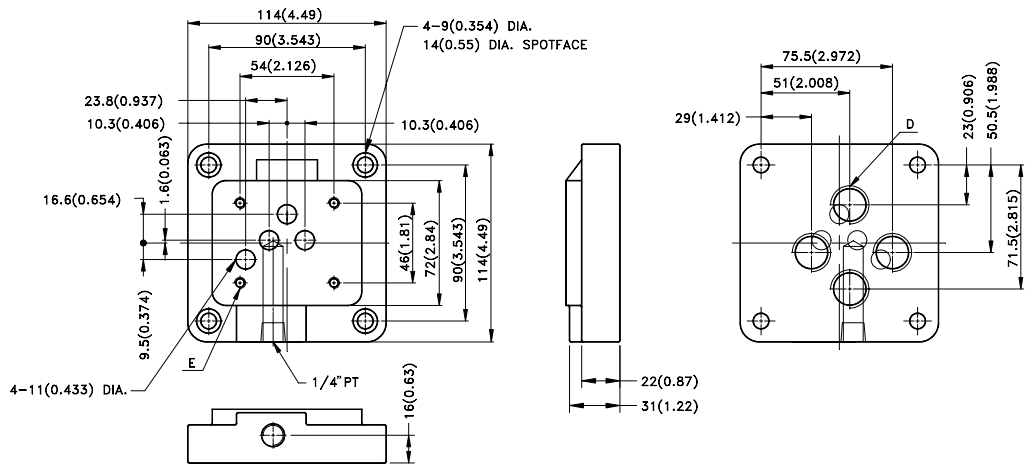
M03 - 03 - S - 1



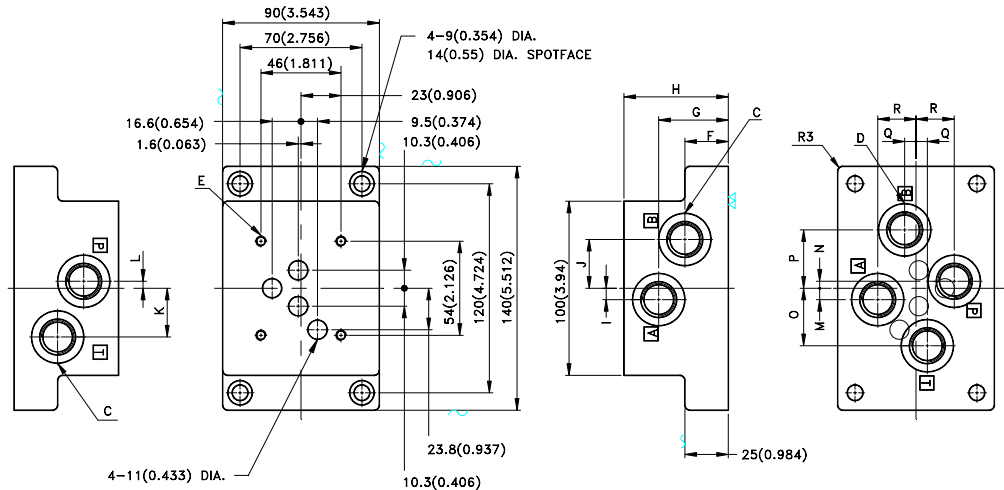
INSTALLATION DIMENSIONS

UNIT: mm(inch)
WEIGHT: 1kgs(2.3 lbs)

M03-**-B-*



M03 - ** - S/SB- *



SUBPLATE

M03 SERIES

MODEL		PORT SIZE & INSTALLATION DIMENSIONS								
		C	D	E	F	G	H	I	J	
M03-03	- S	-1	4- 3/8"PT	-	4- M6 x 1P	25(0.98)	40(1.58)	60(2.36)	6.5(0.26)	28(1.1)
		-2	4- 3/8"NPT	-	4- 1/4 - 20UNC	25(0.98)	40(1.58)	60(2.36)	6.5(0.26)	28(1.1)
		-3	4- 3/8"SAE-2B	-	4- 1/4 - 20UNC	25(0.98)	40(1.58)	60(2.36)	6.5(0.26)	28(1.1)
	- B	-1	-	4- 3/8"PT	4- M6 x 1P	-	-	-	-	-
		-2	-	4- 3/8"NPT	4- 1/4 - 20UNC	-	-	-	-	-
		-3	-	4- 3/8"SAE-2B	4- 1/4 - 20UNC	-	-	-	-	-
	- SB	-1	4- 3/8"PT	4- 3/8"PT	4- M6 x 1P	25(0.98)	40(1.58)	60(2.36)	6.5(0.26)	28(1.1)
		-2	4- 3/8"NPT	4- 3/8"NPT	4- 1/4 - 20UNC	25(0.98)	40(1.58)	60(2.36)	6.5(0.26)	28(1.1)
		-3	4- 3/8"SAE-2B	4- 3/8"SAE-2B	4- 1/4 - 20UNC	25(0.98)	40(1.58)	60(2.36)	6.5(0.26)	28(1.1)

MODEL		INSTALLATION DIMENSIONS								
		K	L	M	N	O	P	Q	R	
M03-03	- S	-1	28(1.1)	4.0(0.16)	-	-	-	-	-	-
		-2	28(1.1)	4.0(0.16)	-	-	-	-	-	-
		-3	28(1.1)	4.0(0.16)	-	-	-	-	-	-
	- B	-1	-	-	-	-	-	-	-	-
		-2	-	-	-	-	-	-	-	-
		-3	-	-	-	-	-	-	-	-
	- SB	-1	28(1.1)	4.0(0.16)	6.5(0.26)	4.0(0.16)	33(1.3)	33.5(1.32)	6.5(0.26)	22(0.87)
		-2	28(1.1)	4.0(0.16)	6.5(0.26)	4.0(0.16)	33(1.3)	33.5(1.32)	6.5(0.26)	22(0.87)
		-3	28(1.1)	4.0(0.16)	6.5(0.26)	4.0(0.16)	33(1.3)	33.5(1.32)	6.5(0.26)	22(0.87)

MODEL		PORT SIZE & INSTALLATION DIMENSIONS								
		C	D	E	F	G	H	I	J	
M03-04	- S	-1	4- 1/2"PT	-	4- M6 x 1P	25(0.98)	40(1.58)	60(2.36)	6.5(0.26)	28(1.1)
		-2	4- 1/8"NPT	-	4- 1/4 - 20UNC	25(0.98)	40(1.58)	60(2.36)	6.5(0.26)	28(1.1)
		-3	4- 1/2"SAE-2B	-	4- 1/4 - 20UNC	25(0.98)	40(1.58)	60(2.36)	6.5(0.26)	28(1.1)
	- B	-1	-	4- 1/2"PT	4- M6 x 1P	-	-	-	-	-
		-2	-	4- 1/2"NPT	4- 1/4 - 20UNC	-	-	-	-	-
		-3	-	4- 1/2"SAE-2B	4- 1/4 - 20UNC	-	-	-	-	-
	- SB	-1	4- 1/2"PT	4- 1/2"PT	4- M6 x 1P	25(0.98)	40(1.58)	60(2.36)	6.5(0.26)	28(1.1)
		-2	4- 1/2"NPT	4- 1/2"NPT	4- 1/4 - 20UNC	25(0.98)	40(1.58)	60(2.36)	6.5(0.26)	28(1.1)
		-3	4- 1/2"SAE-2B	4- 1/2"SAE-2B	4- 1/4 - 20UNC	25(0.98)	40(1.58)	60(2.36)	6.5(0.26)	28(1.1)

MODEL		INSTALLATION DIMENSIONS								
		K	L	M	N	O	P	Q	R	
M03-04	- S	-1	28(1.1)	4.0(0.16)	-	-	-	-	-	-
		-2	28(1.1)	4.0(0.16)	-	-	-	-	-	-
		-3	28(1.1)	4.0(0.16)	-	-	-	-	-	-
	- B	-1	-	-	-	-	-	-	-	-
		-2	-	-	-	-	-	-	-	-
		-3	-	-	-	-	-	-	-	-
	- SB	-1	28(1.1)	4.0(0.16)	6.5(0.26)	4.0(0.16)	33(1.3)	33.5(1.32)	6.5(0.26)	22(0.87)
		-2	28(1.1)	4.0(0.16)	6.5(0.26)	4.0(0.16)	33(1.3)	33.5(1.32)	6.5(0.26)	22(0.87)
		-3	28(1.1)	4.0(0.16)	6.5(0.26)	4.0(0.16)	33(1.3)	33.5(1.32)	6.5(0.26)	22(0.87)

MODEL		PORT SIZE & INSTALLATION DIMENSIONS								
		C	D	E	F	G	H	I	J	
M03-06	- S	-1	4- 3/4"PT	-	4-M6 x 1P	25(0.98)	40(1.58)	60(2.36)	6.5(0.26)	28(1.1)
		-2	4- 3/4"NPT	-	4-1/4-20UNC	25(0.98)	40(1.58)	60(2.36)	6.5(0.26)	28(1.1)
	- B	-1	-	4- 3/4"PT	4-M6 x 1P	-	-	-	-	-
		-2	-	4- 3/4"NPT	4-1/4-20UNC	-	-	-	-	-
	- S B	-1	4- 3/4"PT	4- 3/4"PT	4-M6 x 1P	25(0.98)	40(1.58)	60(2.36)	6.5(0.26)	28(1.1)
		-2	4- 3/4"NPT	4- 3/4"NPT	4-1/4-20UNC	25(0.98)	40(1.58)	60(2.36)	6.5(0.26)	28(1.1)

MODEL		INSTALLATION DIMENSIONS								
		K	L	M	N	O	P	Q	R	
M03-06	- S	-1	28(1.1)	4.0(1.6)	-	-	-	-	-	-
		-2	28(1.1)	4.0(1.6)	-	-	-	-	-	-
	- B	-1	-	-	6.5(0.26)	4.0(0.16)	33(1.3)	33.5(1.32)	6.5(0.26)	22(0.87)
		-2	-	-	6.5(0.26)	4.0(0.16)	33(1.3)	33.5(1.32)	6.5(0.26)	22(0.87)
	- S B	-1	28(1.1)	4.0(1.6)	6.5(0.26)	4.0(0.16)	33(1.3)	33.5(1.32)	6.5(0.26)	22(0.87)
		-2	28(1.1)	4.0(1.6)	6.5(0.26)	4.0(0.16)	33(1.3)	33.5(1.32)	6.5(0.26)	22(0.87)

REMARK : Various port sizes/Pipe threads are available upon request.