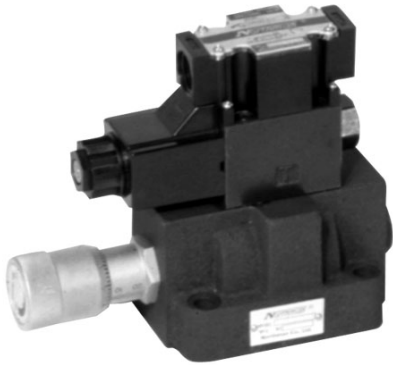
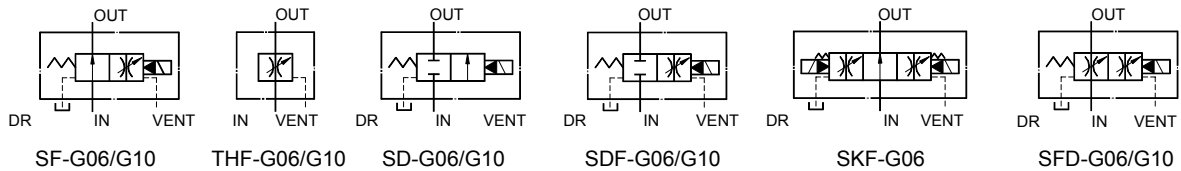


FEATURES



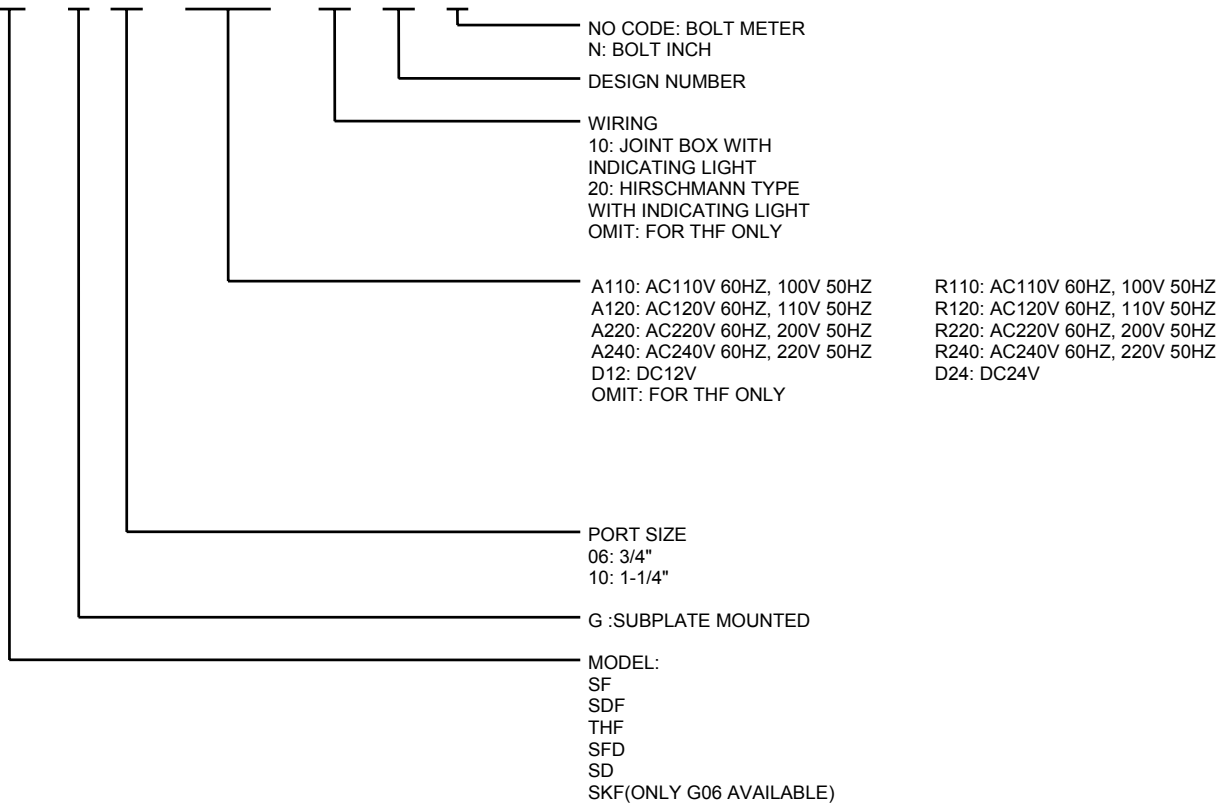
- SF, SDF, SD, SKF, SFD ARE SOLENOID OPERATED FLOW CONTROL VALVES WHICH ARE MOST OFTEN USED PLASTIC INJECTION MOLDING MACHINES AND HYDRAULIC PRESSES.
- SF VALVE IS AN ADJUSTABLE FLOW CONTROL VALVE WITH SOLENOID DIRECTIONAL CONTROL VALVE BUILT TOGETHER. NORMALLY IT CONTROLS THE FLOW RATE AS ADJUSTED, BUT PERMITS FREE FLOW WHEN SOLENOID IS ENERGIZED.
- SDF IS A VALVE NORMALLY BLOCKED, BUT PERMITS FLOW TO PASS AT THE ADJUSTED RATE WHEN SOLENOID IS ENERGIZED. VENT PORT SHALL BE CONNECTED TO THE R.C. PORT(VENT PORT) OF MAIN RELIEF. TO REACH THE EFFECT OF LOAD SENSING, WILL GREATLY CONSERVE ENERGY.

SYMBOLS



HOW TO ORDER

SF - G 06 - A220 - 10 - 10 - N



FLOW CONTROLS

SOLENOID OPERATED FLOW CONTROL VALVE

SPECIFICATIONS

MODEL	MAX.OPERATED PRESSURE KGF/CM ² (PSI)	MAX.FLOW LPM (GPM)	WEIGHT KGS(LBS)	BLOT METER (INCH)	PILO T VALVE	
SF-G06	210 (3000)	120 (30)	6.4 (14.1)	M10 x 1.5P x 45L 4 PCS (3/8"x1-3/4)	SWH-G02-B2S	
SFD-G06			6.4 (14.1)		SWH-G02-B2	
THF-G06			5.0 (11.0)		--	
SD-G06			6.1 (13.4)		SWH-G02-B2	
SFD-G06			6.7 (14.7)		SWH-G02-B2S	
SKF-G06			7.5 (16.5)		SWH-G02-C4	
SF-G10		240 (60)	240 (60)	9.9 (21.8)	M12 x 1.75P x 55L 4 PCS (1/2" x 2-1/4)	SWH-G02-B2S
SDF-G10				9.9 (21.8)		SWH-G02-B2
THF-G10				8.4 (18.5)		--
SD-G10				9.4 (20.7)		SWH-G02-B2
SFD-G10				10.4 (22.9)		SWH-G02-B2S

SOLENOID RATING

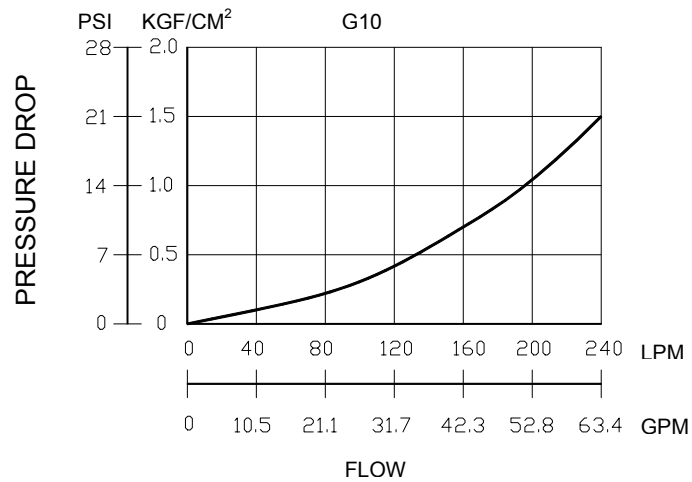
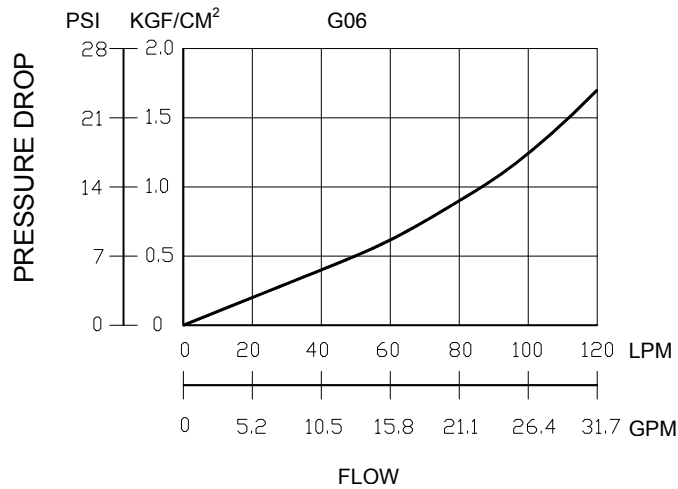
ELECTRIC SOURCE	COIL TYPE	HZ	VOLTAGE(V)		CURRENT & POWER AT RATED VOLTAGE			
			SOURCE RATED	RANGE	IN- RUSH CURRENT (A)	HOLDING CURRENT (A)	WATTAGE	
A.C	A110	50	100	90-110	1.6	0.46		
		60	100	90-110	1.4	0.32		
			110	99-121	1.5	0.39		
	A120	50	110	99-121	1.3	0.38		
		60	120	108-132	1.2	0.27		
	A220	50	200	180-220	0.80	0.23		
			60	200	180-220	0.70	0.16	
				220	198-242	0.75	0.19	
	A240	50	220	198-242	0.67	0.19		
		60	240	216-264	0.59	0.13		
	R110	50	100	90-110	0.3	0.44	26	
		60	110	99-121	0.3	0.3	26	
	R220	50	200	180-220	0.15	0.19	26	
		60	220	198-242	0.15	0.15	26	
	D.C	D12	12		10.8-13.2	2.2	2.2	26
		D24	24		21.6-26.4	1.1	1.1	



PERFORMANCE CURVES

TEST CONDITIONS
VISCOSITY: 35 cSt
TEMPERATURE: 50°C

PRESSURE DROP FOR FREE FLOW



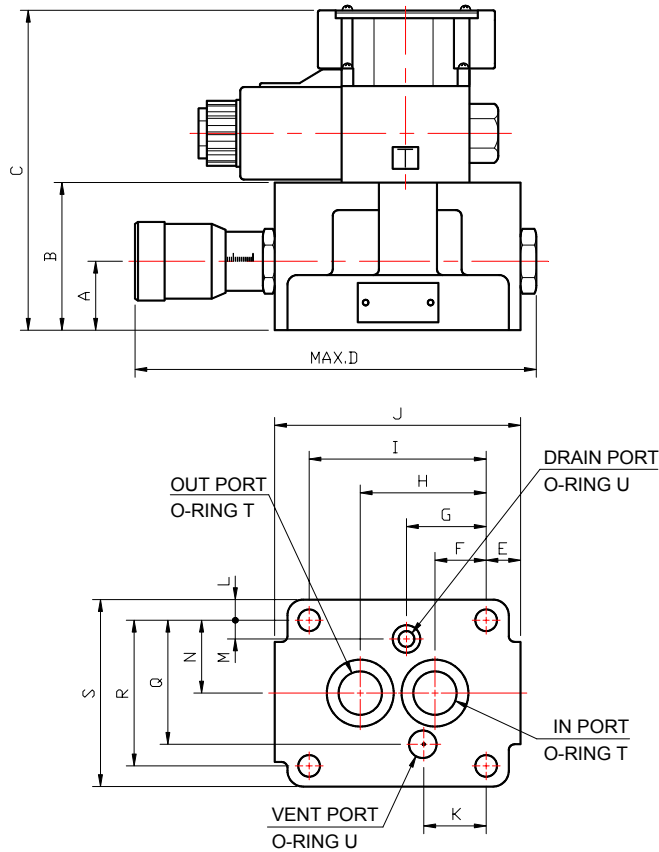
FLOW CONTROLS

SOLENOID OPERATED FLOW CONTROL VALVE

INSTALLATION DIMENSIONS

UNIT : mm(inch)

SF-G06/G10



MODEL	A	B	C	D	E	F	G
SF-G06	35(1.38)	75(2.95)	162.5(6.4)	209(8.23)	17.5(0.69)	26(1.02)	40.5(1.59)
SF-G10	40(1.57)	86(3.39)	173.5(6.8)	248(9.76)	19(0.75)	34(1.34)	47(1.85)

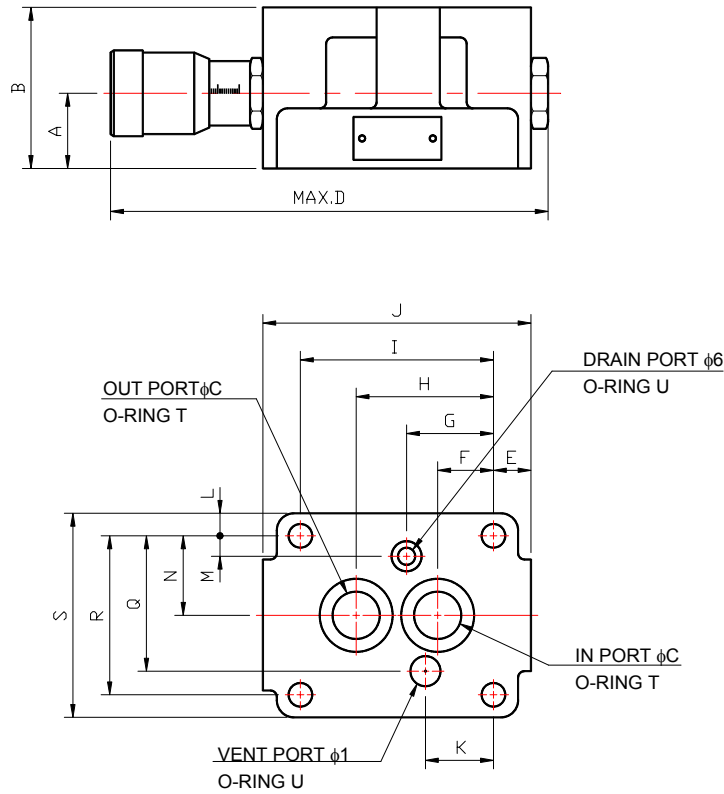
MODEL	H	I	J	K	L	M	N
SF-G06	64(2.52)	90(3.54)	125(4.92)	31.7(1.25)	10.5(0.41)	9.5(0.37)	37(1.46)
SF-G10	78(3.07)	112(4.41)	150(5.91)	37.9(1.49)	14.5(0.57)	16(0.63)	43(1.69)

MODEL	Q	R	S	T	U
SF-G06	63(2.48)	74(2.91)	95(3.74)	P29	P12
SF-G10	76(2.99)	86(3.39)	115(4.53)	P34	P12

INSTALLATION DIMENSIONS

UNIT : mm(inch)

THF-G06/G10



MODEL	A	B	C	D	E	F	G
THF-G06	35(1.38)	75(2.95)	ϕ 26(1.02)	209(8.23)	17.5(0.69)	26(1.02)	40.5(1.59)
THF-G10	40(1.57)	86(3.39)	ϕ 29(1.14)	248(9.76)	19(0.75)	34(1.34)	47(1.85)

MODEL	H	I	J	K	L	M	N
THF-G06	64(2.52)	90(3.54)	125(4.92)	31.7(1.25)	10.5(0.41)	9.5(0.37)	37(1.46)
THF-G10	78(3.07)	112(4.41)	150(5.91)	37.9(1.49)	14.5(0.57)	16(0.63)	43(1.69)

MODEL	Q	R	S	T	U
THF-G06	63(2.48)	74(2.91)	95(3.74)	P29	P12
THF-G10	76(2.99)	86(3.39)	115(4.53)	P34	P12

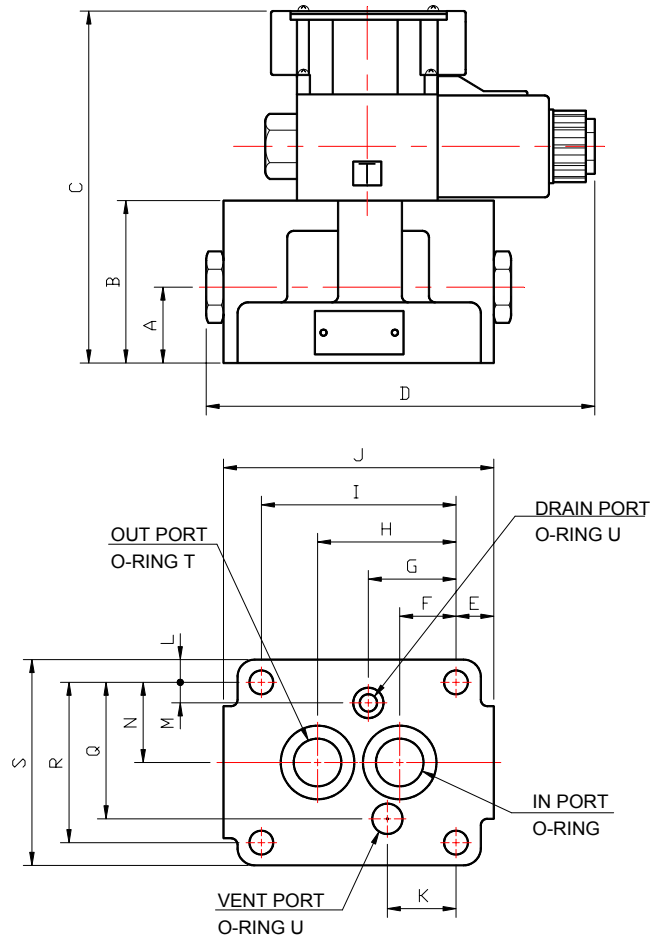
FLOW CONTROLS

SOLENOID OPERATED FLOW CONTROL VALVE

INSTALLATION DIMENSIONS

UNIT : mm(inch)

SD-G06/G10



MODEL	A	B	C	D	E	F	G
SD-G06	35(1.38)	75(2.95)	162.5(6.4)	180(7.09)	17.5(0.69)	26(1.02)	40.5(1.59)
SD-G10	40(1.57)	86(3.39)	173.5(6.8)	197(7.76)	19(0.75)	34(1.34)	47(1.85)

MODEL	H	I	J	K	L	M	N
SD-G06	64(2.52)	90(3.54)	125(4.92)	31.7(1.25)	10.5(0.41)	9.5(0.37)	37(1.46)
SD-G10	78(3.07)	112(4.41)	150(5.91)	37.9(1.49)	14.5(0.57)	16(0.63)	43(1.69)

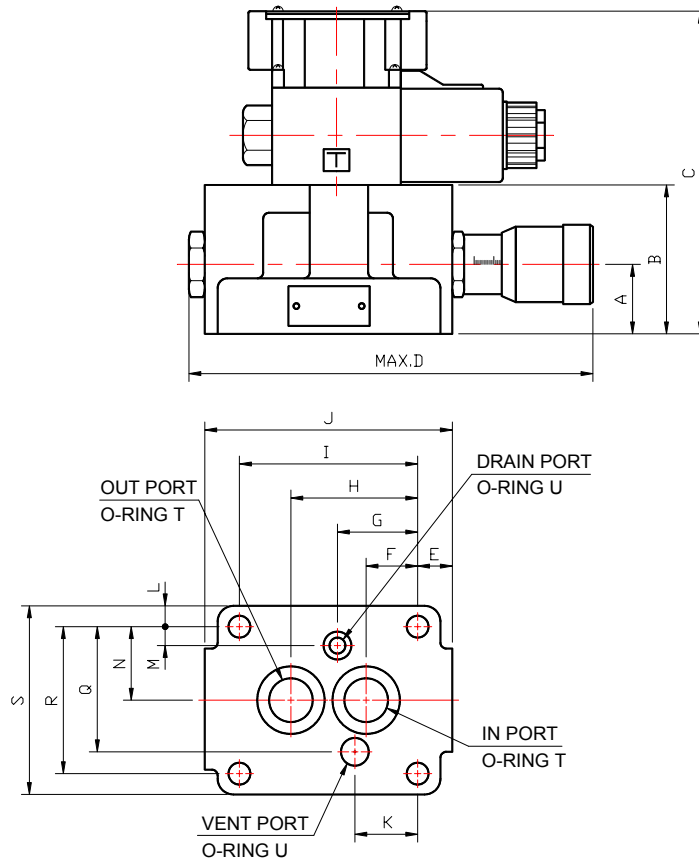
MODEL	Q	R	S	T	U
SD-G06	63(2.48)	74(2.91)	95(3.74)	P29	P12
SD-G10	76(2.99)	86(3.39)	115(4.53)	P34	P12



INSTALLATION DIMENSIONS

UNIT : mm(inch)

SDF-G06/G10



MODEL	A	B	C	D	E	F	G
SDF-G06	35(1.38)	75(2.95)	162.5(6.4)	209(8.23)	17.5(0.69)	26(1.02)	40.5(1.59)
SDF-G10	40(1.57)	86(3.39)	173.5(6.8)	248(9.76)	19(0.75)	34(1.34)	47(1.85)

MODEL	H	I	J	K	L	M	N
SDF-G06	64(2.52)	90(3.54)	125(4.92)	31.7(1.25)	10.5(0.41)	9.5(0.37)	37(1.46)
SDF-G10	78(3.07)	112(4.41)	150(5.91)	37.9(1.49)	14.5(0.57)	16(0.63)	43(1.69)

MODEL	Q	R	S	T	U
SDF-G06	63(2.48)	74(2.91)	95(3.74)	P29	P12
SDF-G10	76(2.99)	86(3.39)	115(4.53)	P34	P12

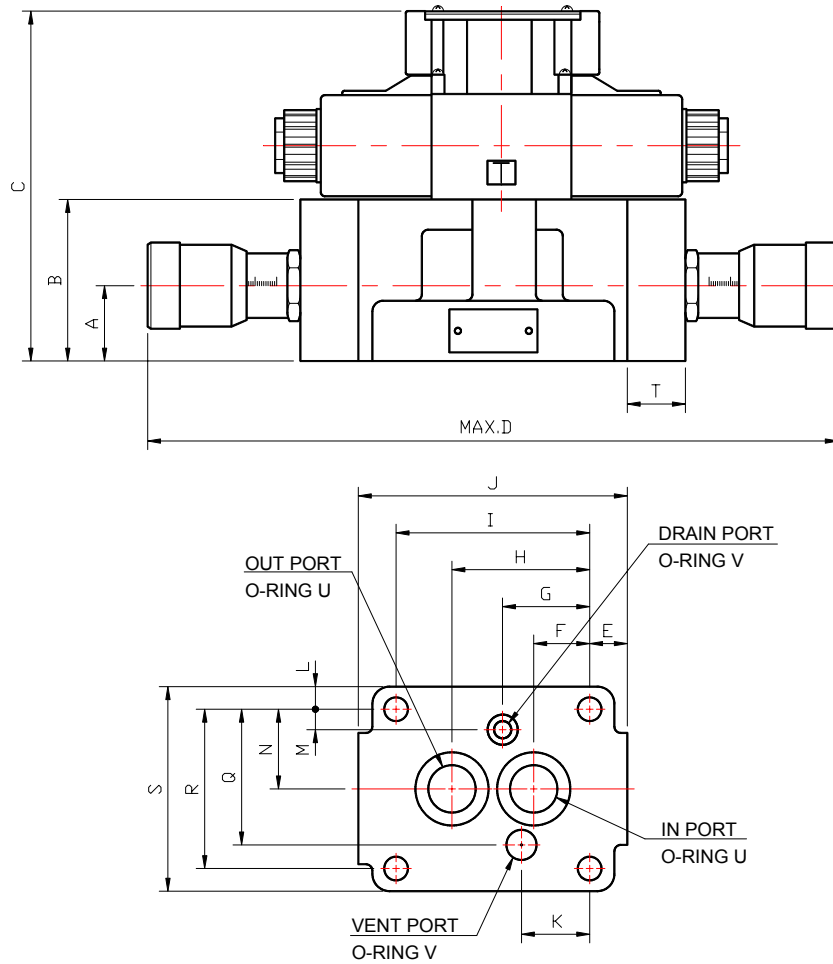
FLOW CONTROLS

SOLENOID OPERATED FLOW CONTROL VALVE

INSTALLATION DIMENSIONS

UNIT : mm(inch)

SKF-G06



MODEL	A	B	C	D	E	F	G
SKF-G06	35(1.38)	75(2.95)	162.5(6.4)	277(10.9)	17.5(0.69)	26(1.02)	40.5(1.59)

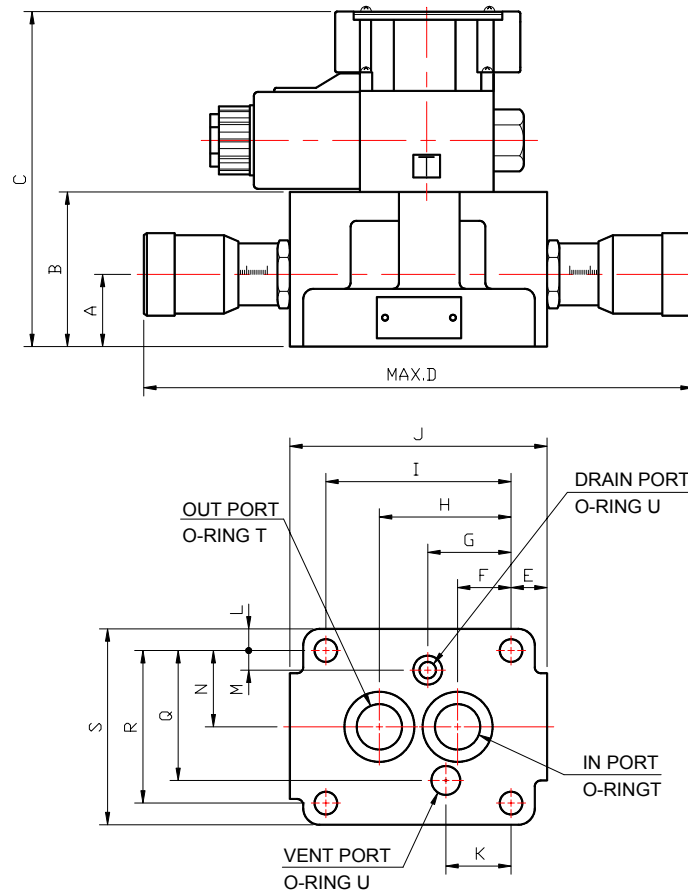
MODEL	H	I	J	K	L	M	N
SKF-G06	64(2.52)	90(3.54)	125(4.92)	31.7(1.25)	10.5(0.41)	9.5(0.37)	37(1.46)

MODEL	Q	R	S	T	U	V
SKF-G06	63(2.48)	74(2.91)	95(3.74)	27(1.06)	P29	P12

INSTALLATION DIMENSIONS

UNIT : mm(inch)

SFD-G06/G10



MODEL	A	B	C	D	E	F	G
SFD-G06	35(1.38)	75(2.95)	162.5(6.4)	277(10.9)	17.5(0.69)	26(1.02)	40.5(1.59)
SFD-G10	40(1.57)	86(3.39)	173.5(6.8)	328(12.9)	19(0.75)	34(1.34)	47(1.85)

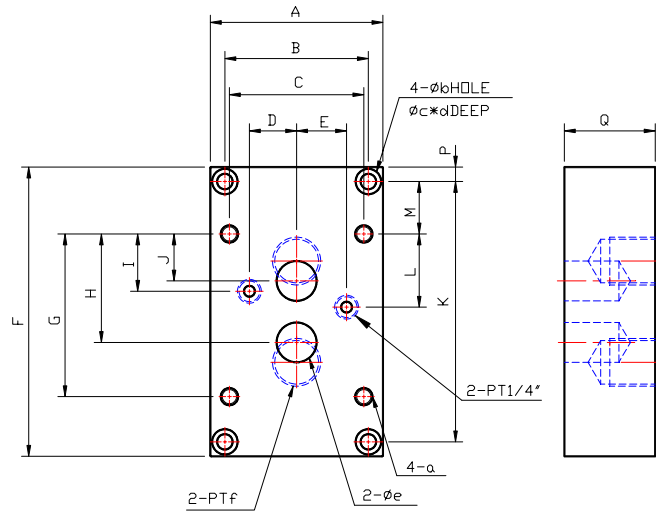
MODEL	H	I	J	K	L	M	N
SFD-G06	64(2.52)	90(3.54)	125(4.92)	31.7(1.25)	10.5(0.41)	9.5(0.37)	37(1.46)
SFD-G10	78(3.07)	112(4.41)	150(5.91)	37.9(1.49)	14.5(0.57)	16(0.63)	43(1.69)

MODEL	Q	R	S	T	U
SFD-G06	63(2.48)	74(2.91)	95(3.74)	P29	P12
SFD-G10	76(2.99)	86(3.39)	115(4.53)	P34	P12

SUBPLATE

INSTALLATION DIMENSIONS

UNIT : mm(inch)



MODEL	A	B	C	D	E	F	G	H
SFM-06	95 (3.74)	79 (3.11)	74 (2.91)	26 (1.02)	27.5 (1.08)	160 (6.30)	90 (3.54)	64 (2.52)
SFM-10	115 (4.53)	95 (3.74)	86 (3.39)	33 (1.30)	27 (1.06)	182 (7.16)	112 (4.41)	78 (3.07)

MODEL	I	J	K	L	M	P	Q	a
SFM-06	31.7 (1.25)	26 (1.02)	144 (5.67)	40.5 (1.59)	29 (1.14)	8 (0.32)	40 (1.57)	M10 (3/8")
SFM-10	37.9 (1.49)	34 (1.34)	162 (6.38)	47 (1.85)	35 (1.38)	10 (0.39)	50 (1.97)	M12 (1/2")

MODEL	b	c	d	e	f
SFM-06	8.5 (0.34)	14 (0.55)	10 (0.39)	22 (0.87)	3/4"
SFM-10	11 (0.43)	17.5 (0.69)	12 (0.47)	28 (1.10)	1-1/4"

HOW TO ORDER

SFM - 06 - 06 - N

