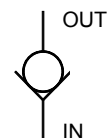


DIRECTIONAL CONTROLS

RIGHT ANGLE CHECK VALVE

SYMBOL

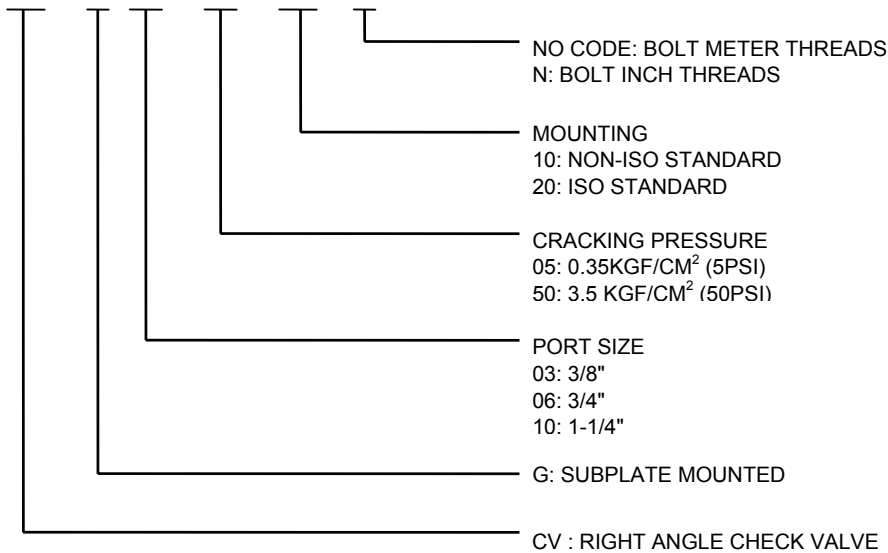


SPECIFICATIONS

MODEL	RATE FLOW LPM(GPM)	MAX. OPERATED PRESSURE KGF/CM ² (PSI)	CRACKING PRESSURE KGF/CM ² (PSI)
CV-G03	40(10.5)	250(3550)	05: 0.35(5)
CV-G06	125(33.0)		50: 3.5(50)
CV-G10	250(66.0)		

HOW TO ORDER

CV - G 03 - 05 - 10 - N





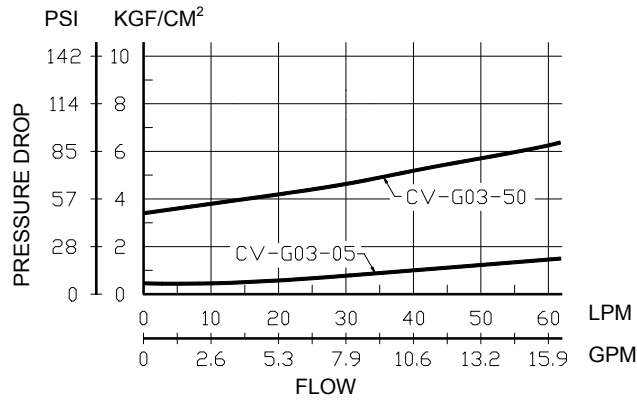
PERFORMANCE CURVES

TEST CONDITIONS

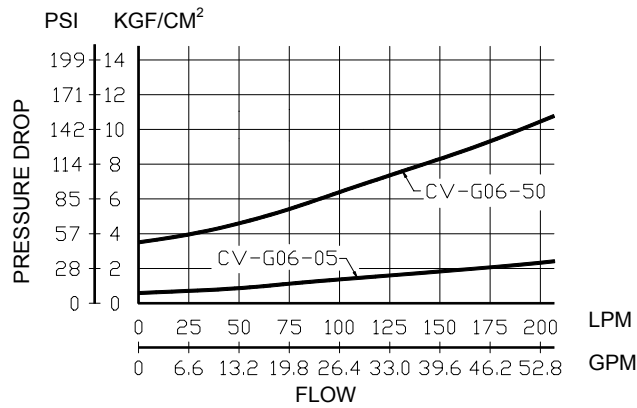
VISCOSITY: 35 cSt (175 SSU)

TEMPERATURE: 50°C (122°F)

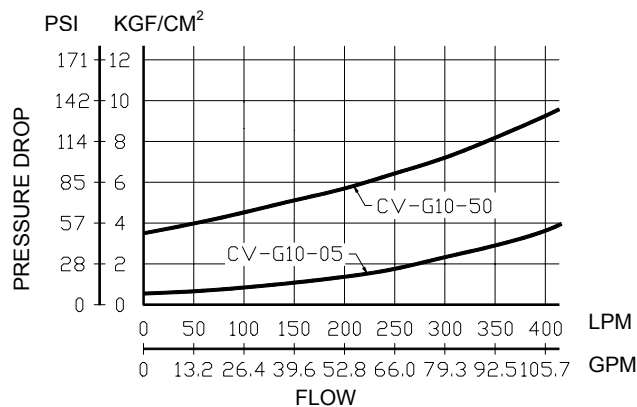
CV-G03



CV-G06



CV-G10

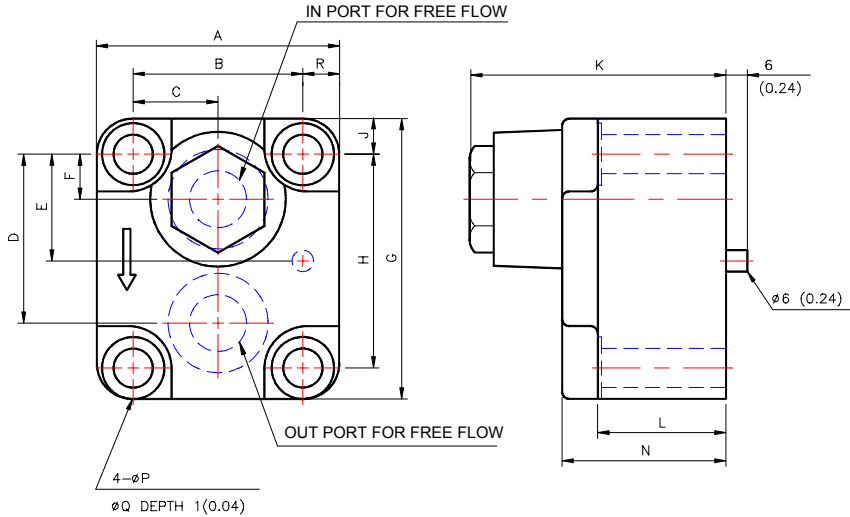


DIRECTIONAL CONTROLS
 RIGHT ANGLE CHECK VALVE

INSTALLATION DIMENSIONS

UNIT : mm(inch)

CV-G03/06/10-**-10



MODEL	A	B	C	D	E	F	G	H	J
CV-G03	68 (2.68)	47.6 (1.87)	23.8 (0.94)	47.6 (1.87)	30.1 (1.19)	12.7 (0.50)	80 (3.15)	60.3 (2.27)	10 (0.39)
CV-G06	101 (3.98)	65.2 (2.56)	32.6 (1.28)	68.2 (2.69)	40.5 (1.59)	22.2 (0.87)	114 (4.49)	80.9 (3.19)	16.5 (0.65)
CV-G10	130 (5.12)	92.1 (3.63)	46.1 (1.81)	71.4 (2.81)	46.0 (1.81)	20.6 (0.81)	130 (5.12)	92.1 (3.63)	19 (0.75)

MODEL	K	L	N	P	Q	BOLT	WEIGHT	
							KGS	LBS
CV-G03	70 (2.76)	36 (1.42)	46 (1.81)	11 (0.43)	17.5 (0.69)	M10x50x4PCS (3/8x2")	1.7	3.7
CV-G06	81 (3.19)	38 (1.49)	54 (2.12)	17.5 (0.69)	26 (1.02)	M16x55x4PCS (5/8x2-1/2")	4.1	9.0
CV-G10	100 (3.94)	50 (1.97)	67 (2.64)	21.5 (0.85)	30 (1.18)	M20x75x4PCS (3/4x3")	6.6	14.8

MODEL	R	SUBPLATE
CV-G03	10.2 (0.405)	GM-03
CV-G06	16.45 (0.65)	GM-06
CV-G10	18.95 (0.745)	GM-10

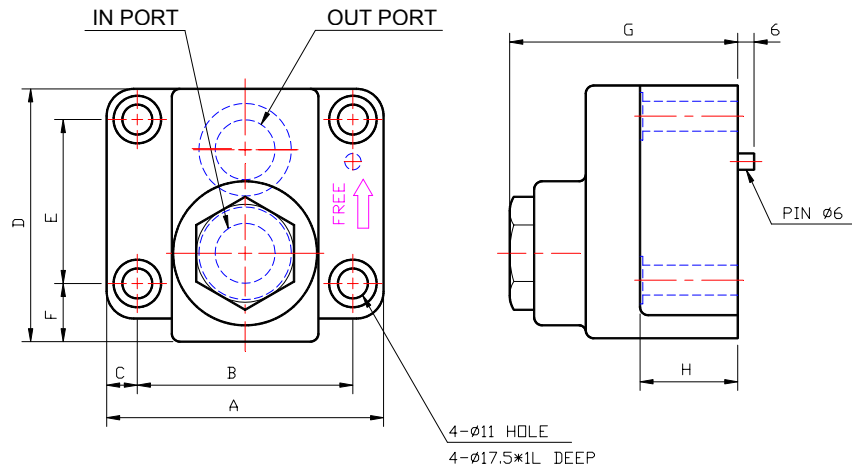
INSTALLATION DIMENSIONS

UNIT : mm(inch)

CV-G03/G06-**-20

G03: ISO 5781-AG-06-2-A

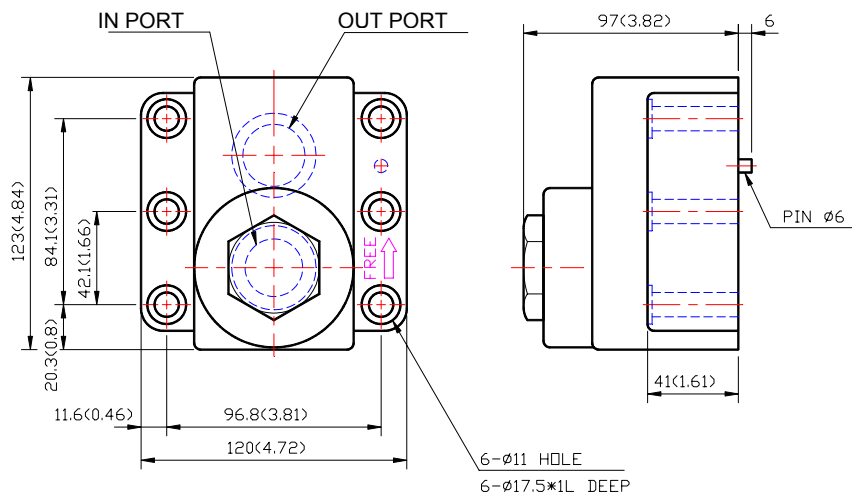
G06: ISO 5781-AH-08-2-A



MODEL	A	B	C	D	E	F	G	H
CV-G03	90(3.54)	66.7(2.63)	11.7(0.46)	72(2.83)	42.9(1.69)	17.5(0.69)	72.5(2.85)	31(1.22)
CV-G06	102(4.02)	79.4(3.13)	11.3(0.44)	93(3.66)	60.3(2.37)	21.4(0.84)	84(3.31)	36(1.42)

CV-G10-**-20

G10: ISO 5781-AJ-10-2-A

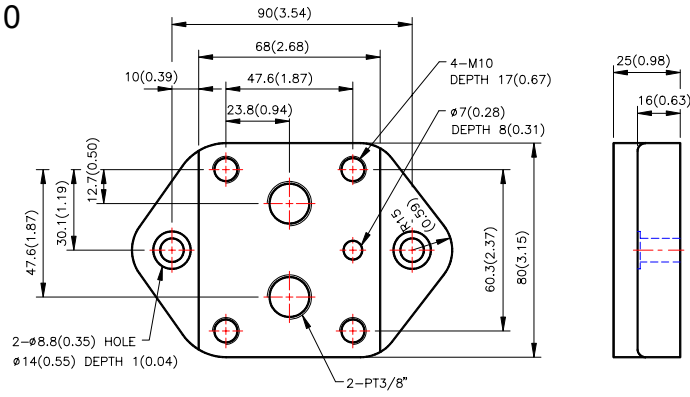


SUBPLATE

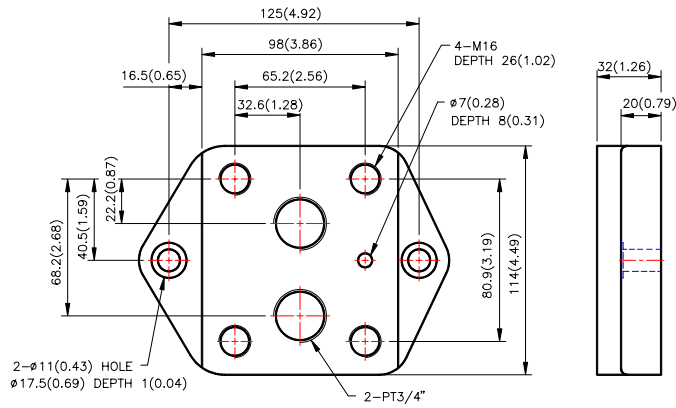
INSTALLATION DIMENSIONS

UNIT : mm(inch)
NON-ISO MOUNTING

CVM-03-10



CVM-06-10



CVM-10-10

