

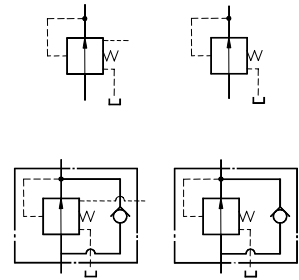


PRESSURE CONTROLS

PRESSURE REDUCING VALVE



SYMBOL

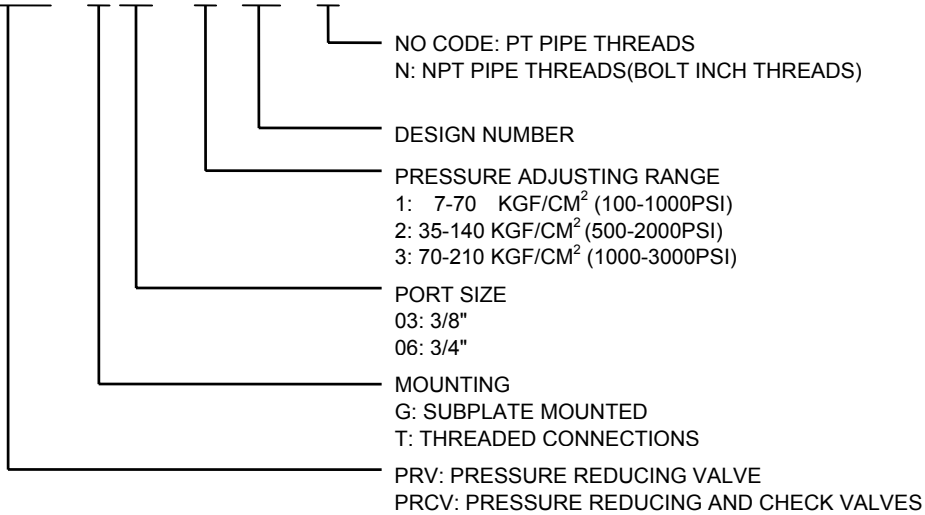


SPECIFICATIONS

MODEL	MAX. PRESSURE KGF/CM ² (PSI)	PRESSURE ADJUSTING RANGE KGF/CM ² (PSI)	MAX. FLOW LPM(GPM)	MOUNTED BOLT METER(INCH)
PRV-*03 PRCV-*03	210(3000)	1:7-70(100-1000)	50(13.2)	M10x70(3/8"-2 3/4") 4PCS
PRV-*06 PRCV-*06		2:35-140(500-2000)	125(33)	M10x80(3/8"-3 1/4") 4PCS
PRV-*10 PRCV-*10		3:70-210(1000-1000)	250(66)	M10x90(3/8"-3 1/2") 6PCS

HOW TO ORDER

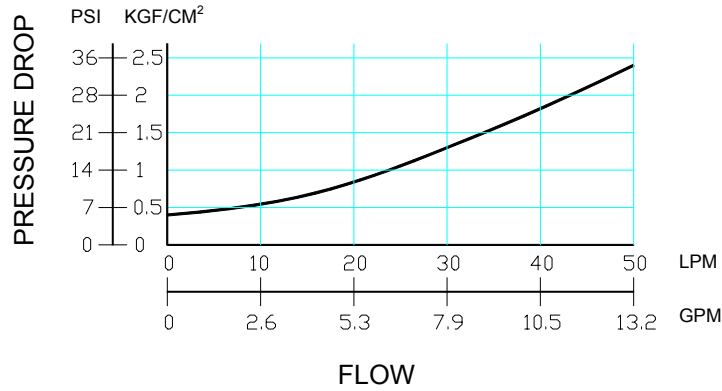
PRCV - G03 - 1- 10 - N



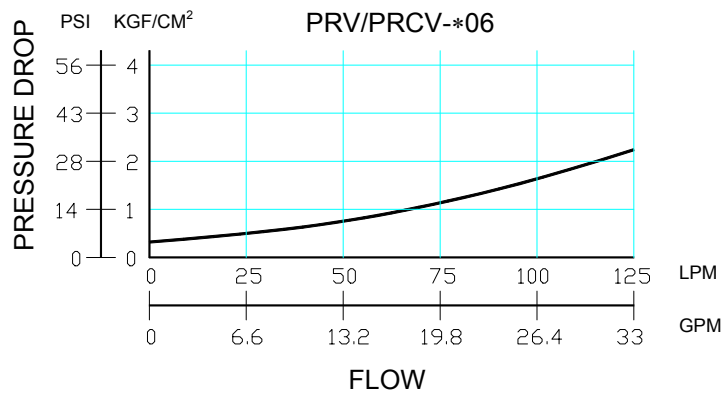
PRESSURE CONTROLS
 PRESSURE REDUCING VALVE

PRESSURE DROP FOR REVERSED FREE FLOW

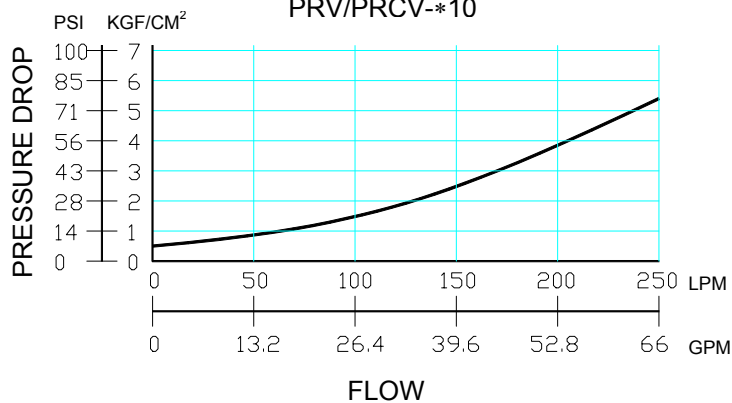
PRV/PRCV-*03



PRV/PRCV-*06

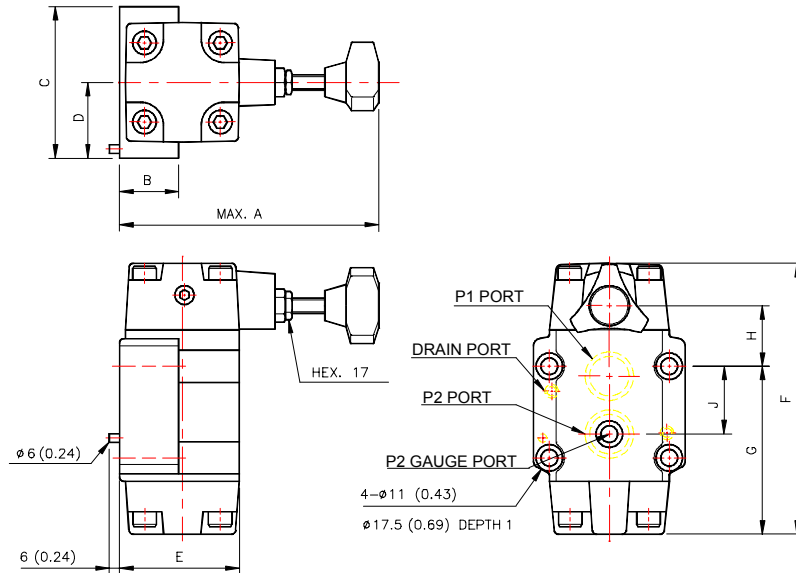


PRV/PRCV-*10



INSTALLATION DIMENSIONS

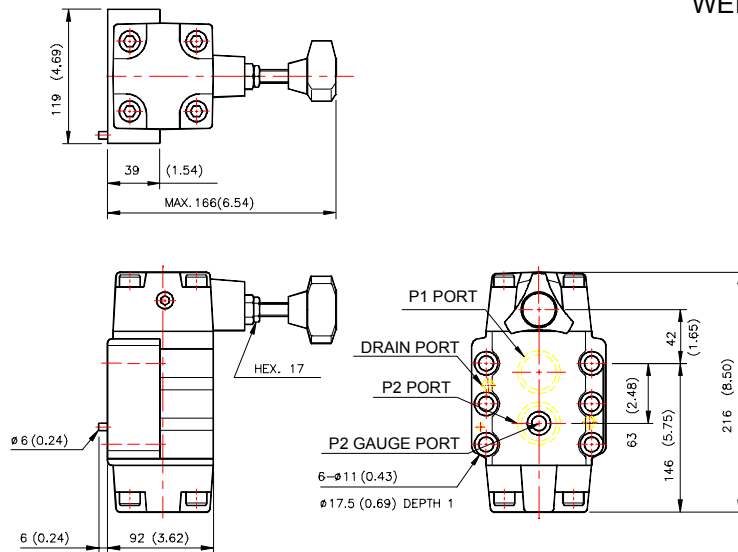
UNIT : mm(inch)



MODEL	A	B	C	D	E	F	G	H	J	WEIGHT	
										KGS	LBS
PRV-03	164 (6.46)	42 (1.65)	89 (3.23)	44.5 (1.75)	67 (2.64)	155.5 (6.12)	92.4 (3.64)	40.6 (1.60)	35 (1.38)	4.5	10.1
PRV-G06	165.8 (6.53)	42 (1.65)	100 (3.94)	50 (1.97)	74 (2.91)	182 (7.17)	111 (4.37)	40 (1.57)	48 (1.89)	6.8	15.2

PRV-G10

WEIGHT : 11kgs(24.25lbs)

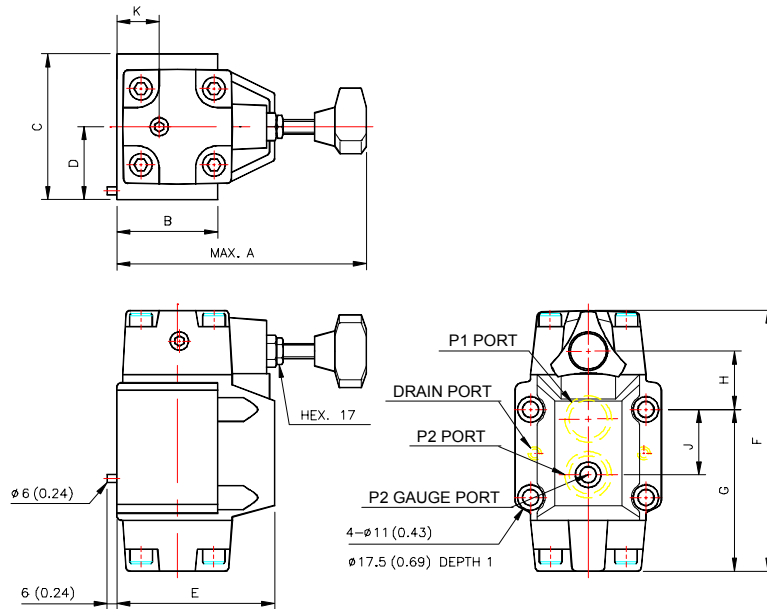


PRESSURE CONTROLS
 PRESSURE REDUCING VALVE

INSTALLATION DIMENSIONS

UNIT : mm(inch)

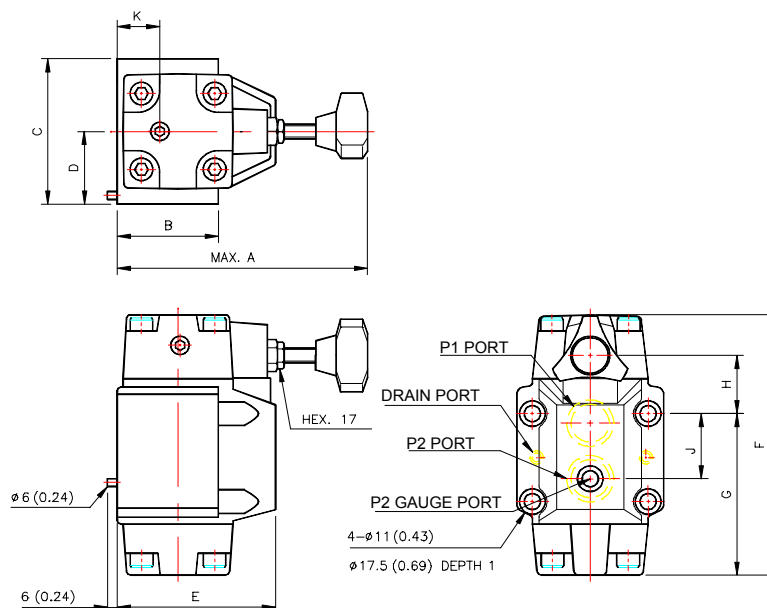
PRCV-G03/06



MODEL	A	B	C	D	E	F	G	H	J	K	WEIGHT	
											KGS	LBS
PRCV-G03	164 (6.46)	61 (2.40)	90 (3.54)	45 (1.77)	88 (3.46)	155 (6.10)	92.4 (3.64)	45 (1.77)	34.9 (1.37)	25 (0.98)	5.2	11.45
PRCV-G06	164 (6.46)	70.5 (2.78)	104 (4.09)	52 (2.05)	109 (4.29)	182 (7.17)	111 (4.37)	40 (1.57)	48 (1.89)	0	8.3	18.28

PRCV-G10

WEIGHT : 18.5kgs(40.78lbs)

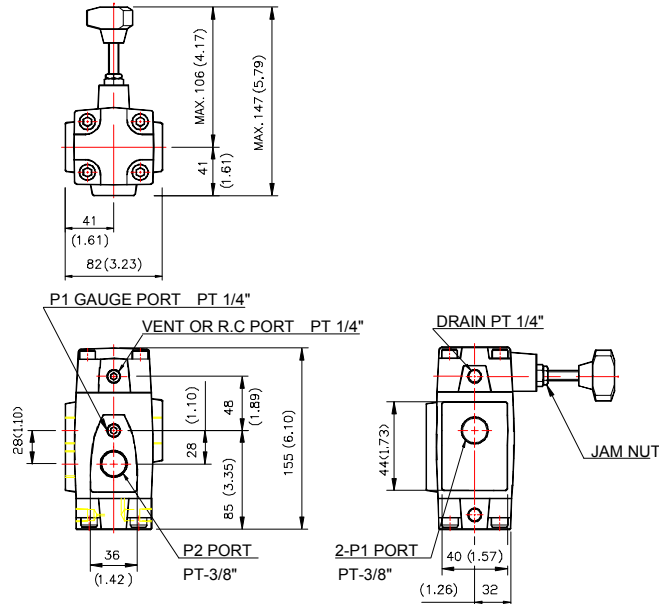




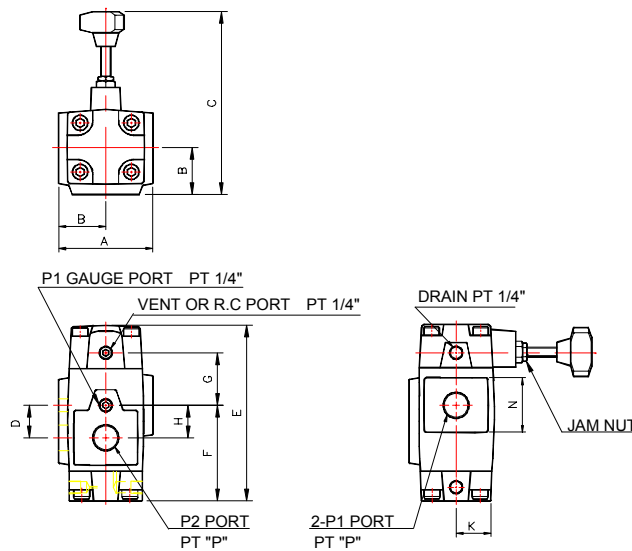
INSTALLATION DIMENSIONS

UNIT : mm(inch)
WEIGHT : 4.3kgs(9.48lbs)

PRV-T03



PRV-T06/10



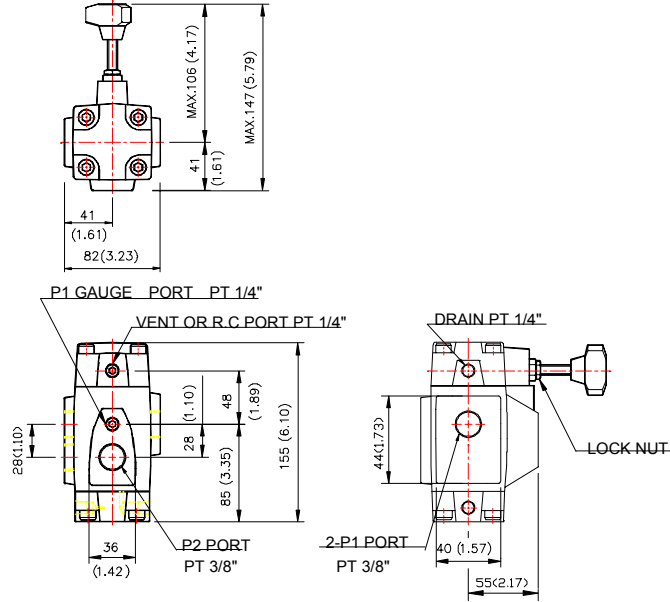
MODEL	A	B	C	D	E	F	G	H	K	N	P	WEIGHT	
												KGS	LBS
PRV-*T06	94.8 (3.73)	47.4 (1.87)	150 (5.90)	42 (1.65)	179 (7.06)	97 (3.83)	53.5 (2.11)	33 (1.30)	39 (1.54)	62 (2.44)	3/4	6.0	13.2
PRV-*T10	132 (5.20)	66 (2.60)	167 (6.57)	52 (2.05)	216 (8.50)	124 (4.88)	64 (2.52)	40 (1.57)	50 (1.97)	79 (3.11)	11/4	12.0	26.45

PRESSURE CONTROLS
PRESSURE REDUCING VALVE

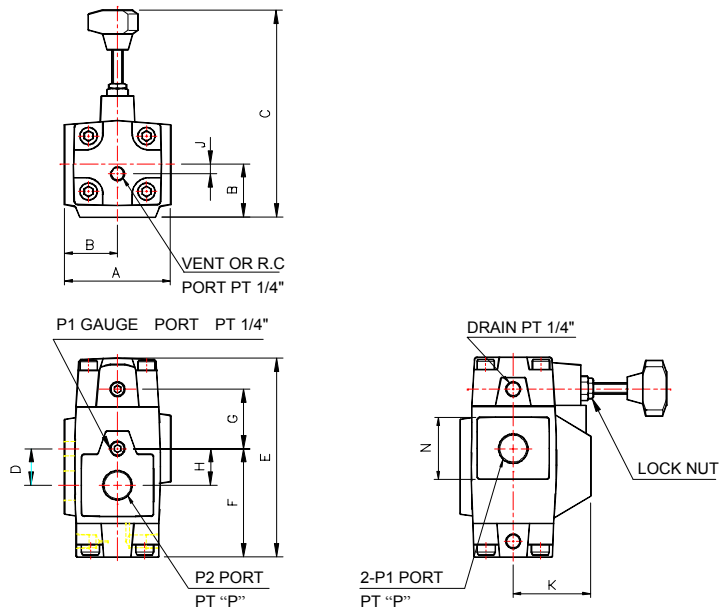
INSTALLATION DIMENSIONS

UNIT : mm(inch)
WEIGHT : 4.8kgs(10.5lbs)

PRCV-*T03



PRCV-*T06 / 10



MODEL	A	B	C	D	E	F	G	H	J	K	N	P	WEIGHT	
													KGS	LBS
PRCV-*T06	94 (3.70)	48 (1.89)	150 (5.90)	42 (1.65)	179 (7.06)	97.5 (3.84)	44.5 (1.75)	42 (1.66)	9 (0.35)	66 (2.60)	62 (2.44)	3/4	7.8	17.1
PRCV-*T10	137 (5.40)	68.5 (2.70)	167 (6.57)	52 (2.05)	216 (8.50)	124 (4.88)	52 (2.04)	52 (2.04)	12 (0.47)	84 (3.31)	79 (3.11)	1 1/4	14.4	31.7