

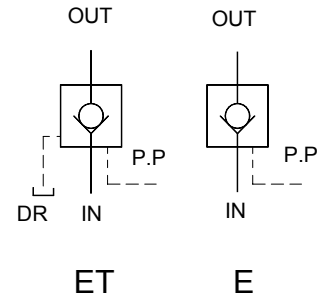


DIRECTIONAL CONTROLS

PILOT CONTROLLED CHECK VALVE



SYMBOLS

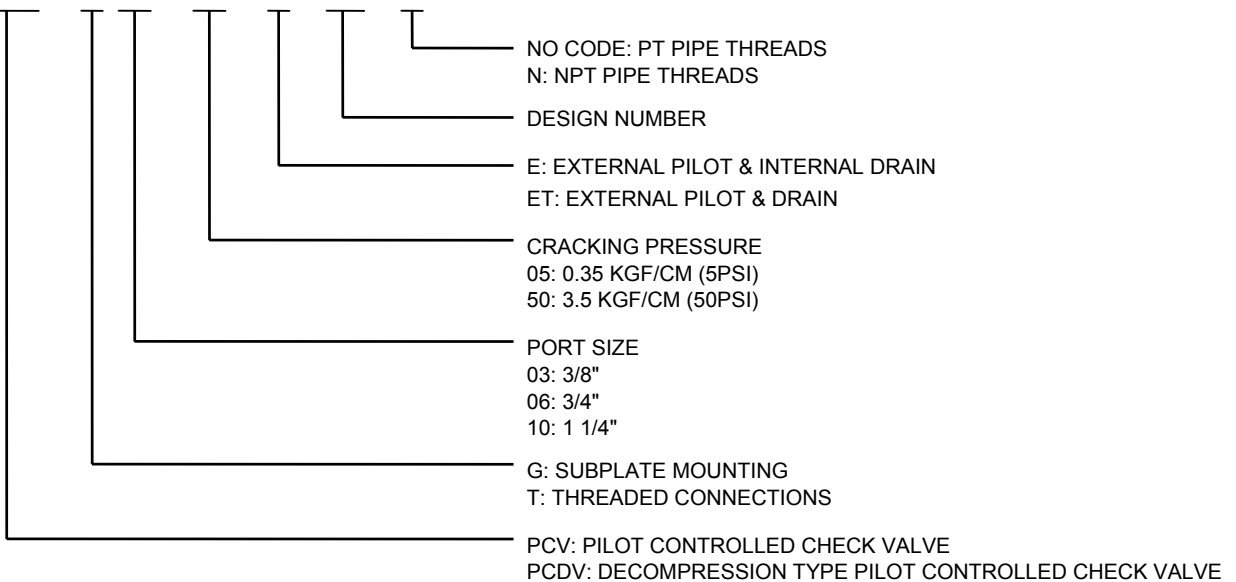


SPECIFICATION

MODEL	RATE FLOW LPM(GPM)	MAX. PRESSURE KGF/CM (PSI)	CRACKING PRESSURE KGF/CM2 (PSI)
PCV/PCDV-*03	40(10.6)	250(3550)	05: 0.35(5)
PCV/PCDV-*06	125(33)		50: 3.5(50)
PCV/PCDV-*10	250(66)		

HOW TO ORDER

PCV - G 03 - 05 - E - 20 - N



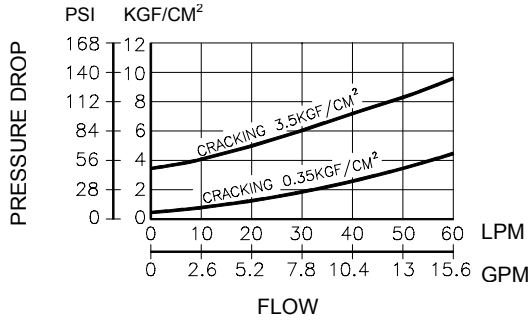
DIRECTIONAL CONTROLS
PILOT CONTROLLED CHECK VALVE

PERFORMANCE CURVES

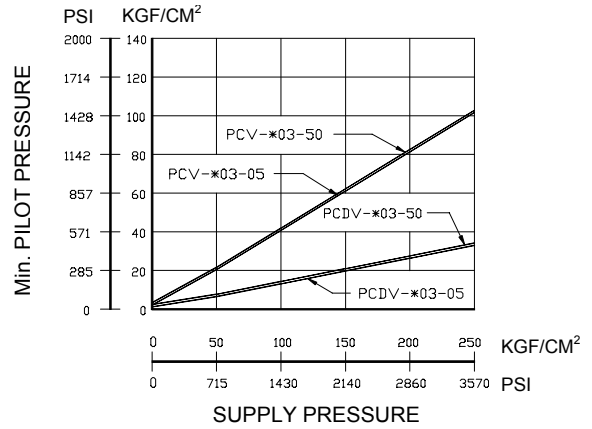
TEST FLUID VISCOSITY: 35 cSt (175 SSU)
 TEST TEMPERATURE: 50°C (122°F)

PRESSURE DROP

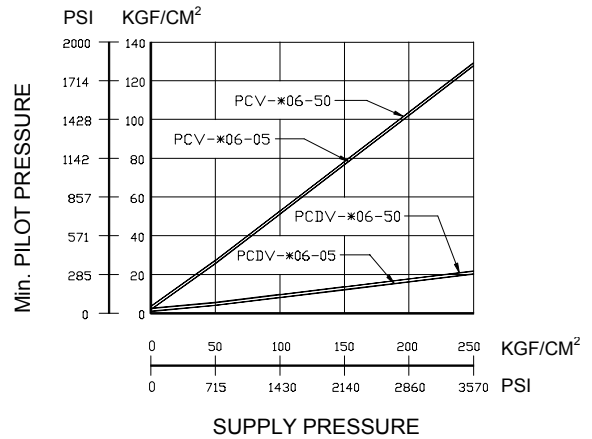
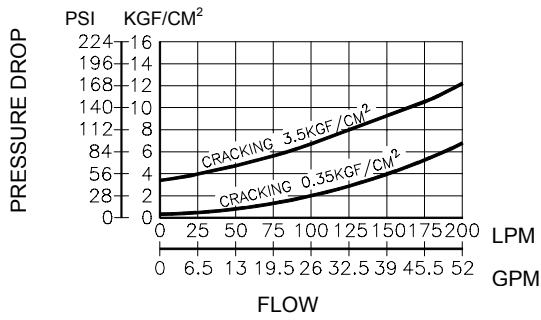
PCV-*03 PCDV-*03



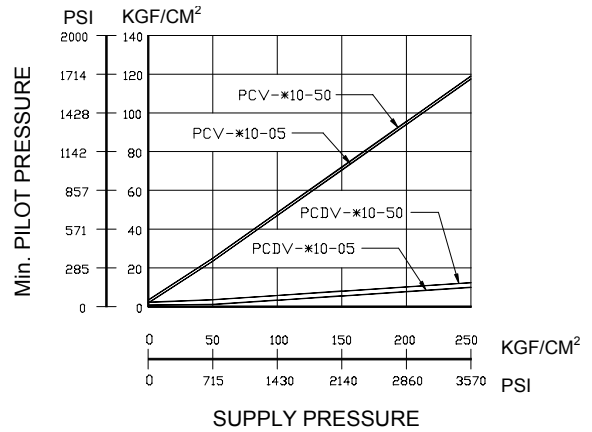
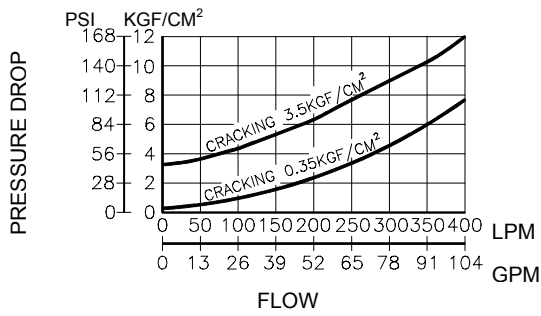
MIN. PILOT PRESSURE



PCV-*06 PCDV-*06



PCV-*10 PCDV-*10





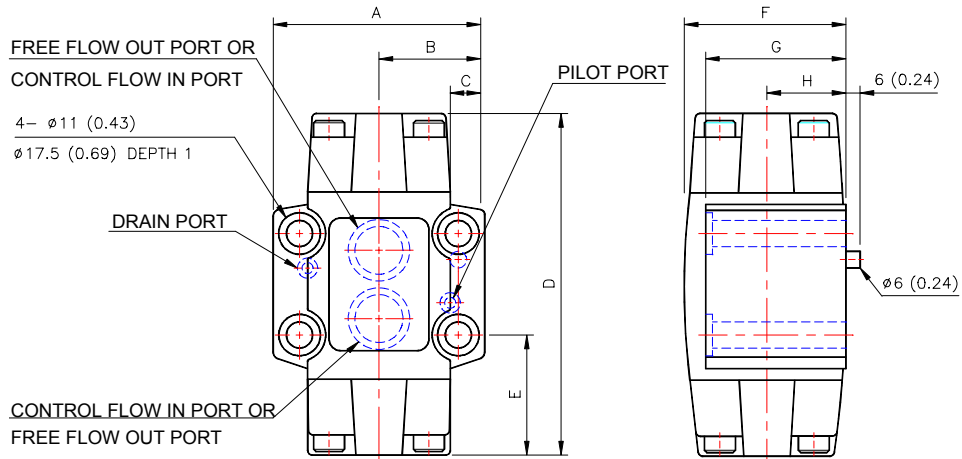
INSTALLATION DIMENSIONS

UNIT: mm/inch

PCV-G03,06

03 : ISO 5781-AG-06-2-A

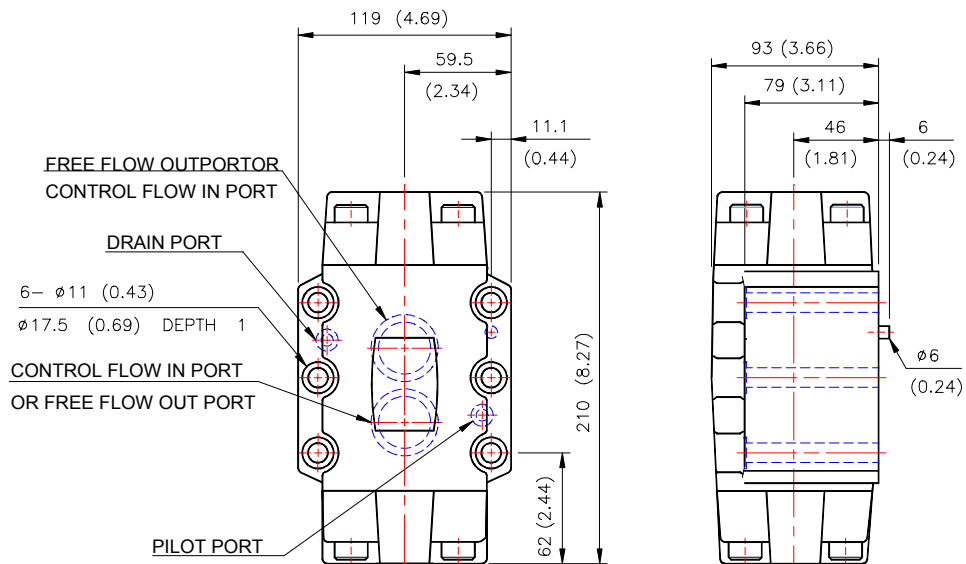
06 : ISO 5781-AH-08-2-A



MODEL	A	B	C	D	E	F	G	H	BOLT	WT kgs(Lbs)
PCV-G03	87.5 (3.44)	44.5 (1.75)	10 (0.39)	144 (5.67)	50.6 (1.99)	68 (2.68)	60 (2.36)	35 (1.38)	M10x70x4PCS (3/8x2 3/4")	4.5 (9.9)
PCV-G06	102 (4.02)	51.0 (2.01)	11.3 (0.44)	174 (6.85)	57 (2.24)	80 (3.15)	70.5 (2.77)	40 (1.57)	M10x80x4PCS (3/8x3 1/4")	7.0 (15.4)

PCV-G10

10 : ISO 5781-AJ-10-2-A

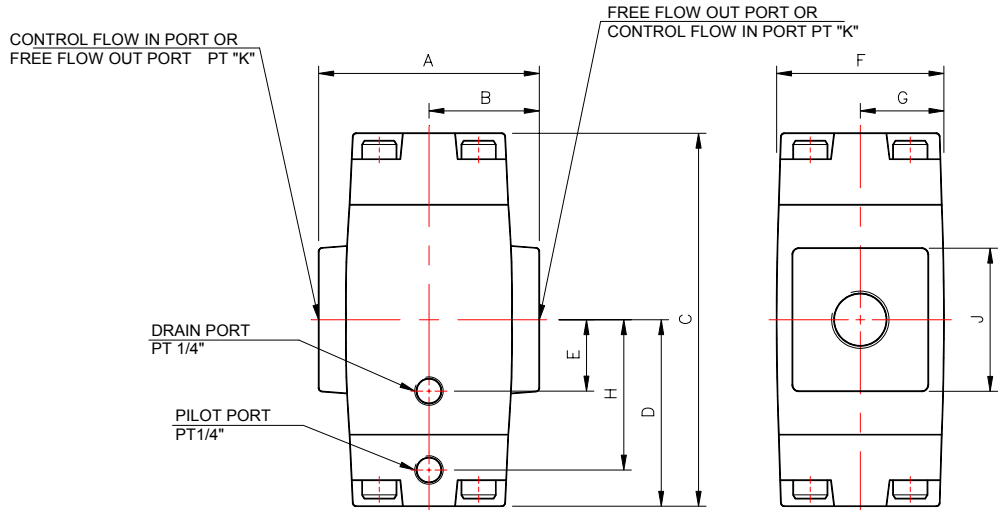


DIRECTIONAL CONTROLS
 PILOT CONTROLLED CHECK VALVE

INSTALLATION DIMENSIONS

UNIT : mm(inch)

PCV-T03/06/10



MODEL	A	B	C	D	E	F	G	H	J	K	WT kgs(Lbs)
PCV-T03	80 (3.15)	40 (1.57)	150.5 (5.93)	75 (2.95)	21 (0.83)	64 (2.52)	35.5 (1.40)	58 (2.28)	41 (1.61)	3/8	3.4(7.5)
PCV-T06	99.6 (3.92)	49.8 (1.96)	174 (6.85)	84 (3.31)	26 (1.02)	73 (2.87)	38 (1.50)	68 (2.68)	65 (2.56)	3/4	6.0(13.2)
PCV-T10	140 (5.51)	70 (2.76)	208 (8.19)	104 (4.09)	35 (1.38)	92 (3.62)	45 (1.77)	84 (3.31)	79 (3.11)	1 1/4	11.6 (25.5)



DIRECTIONAL CONTROLS PILOT CONTROLLED CHECK VALVE

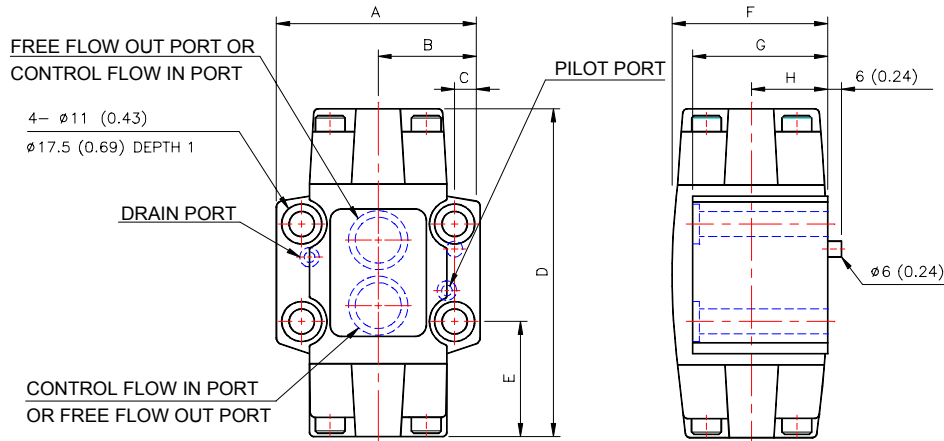
INSTALLATION DIMENSIONS

UNIT : mm(inch)

PCDV-G03,06

03 : ISO 5781-AG-06-2-A

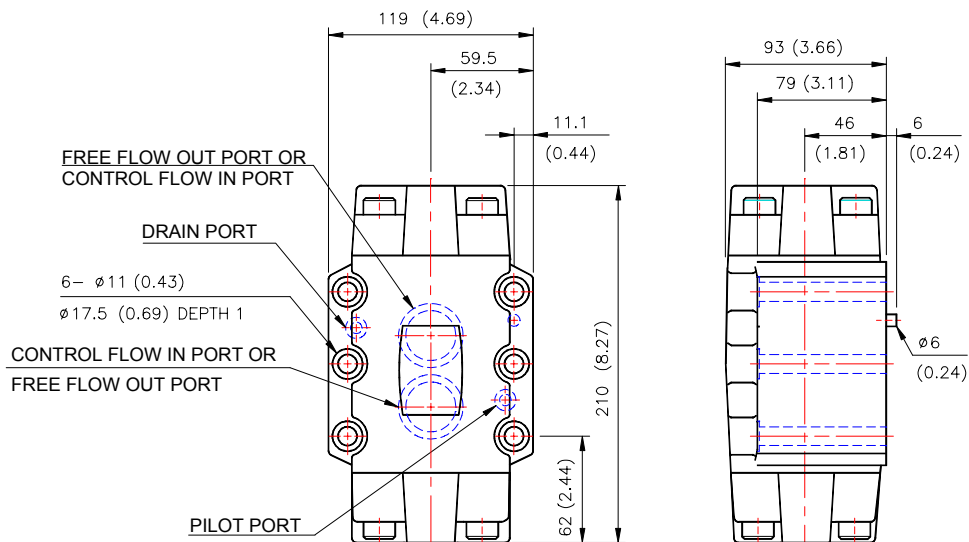
06 : ISO 5781-AH-08-2-A



MODEL	A	B	C	D	E	F	G	H	BOLT	WT gs(Lbs)
PCDV-03	89 (3.50)	44.5 (1.75)	11.1 (0.44)	150 (5.91)	50.6 (1.99)	68 (2.68)	59 (2.32)	35 (1.38)	M10x70x4PCS (3/8x2 3/4")	4.5 (9.9)
PCDV-G06	102 (4.02)	51.0 (2.01)	11.3 (0.44)	174 (6.85)	57 (2.44)	80 (3.15)	69 (2.72)	40 (1.57)	M10x80x4PCS (3/8x3 1/4")	7.0 (15.4)

PCDV-G10

10 : ISO 5781-AJ-10-2-A

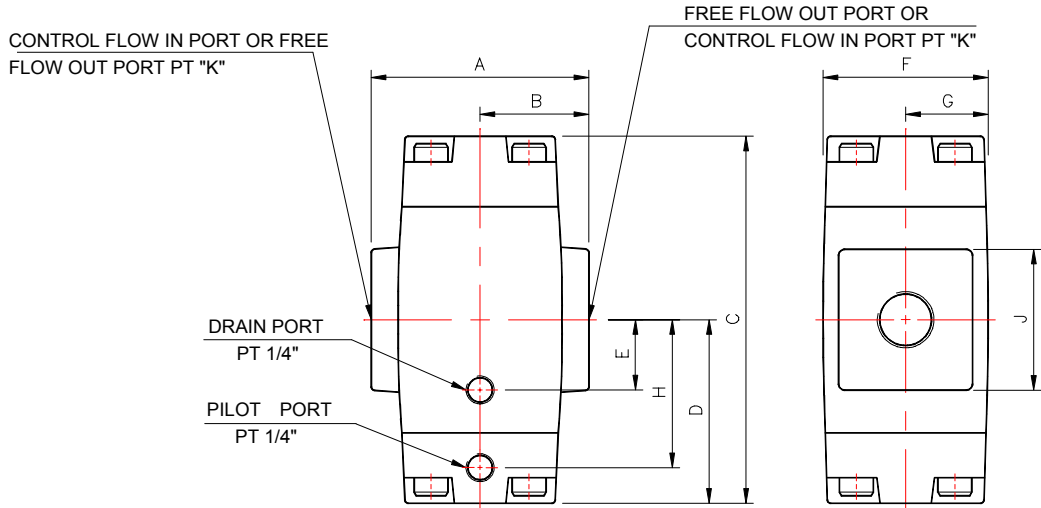


DIRECTIONAL CONTROLS
PILOT CONTROLLED CHECK VALVE

INSTALLATION DIMENSIONS

UNIT : mm(inch)

PCDV-T03/06/10



MODEL	A	B	C	D	E	F	G	H	J	K	WT kgs(Lbs)
PCDV-T03	80 (3.15)	40 (1.57)	144 (5.67)	72 (2.83)	21 (0.83)	64 (2.52)	32 (1.26)	58 (2.28)	36 (1.42)	3/8	3.4 (7.5)
PCDV-T06	99.6 (3.92)	48 (1.89)	174 (6.85)	84 (3.31)	26 (1.02)	73 (2.87)	38 (1.50)	68 (2.68)	65 (2.56)	3/4	5.2 (11.5)
PCDV-T10	144 (5.67)	72 (2.83)	208 (8.19)	104 (4.09)	35 (1.38)	88 (3.46)	45 (1.77)	84 (3.31)	84 (3.31)	1 1/4	11.6 (25.5)