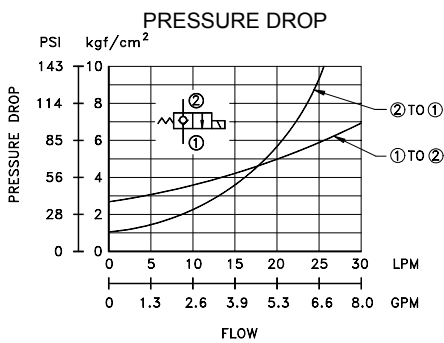


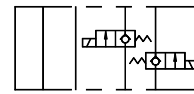


PERFORMANCE CURVES

TEST FLUID VISCOSITY : 35 cSt (175 SSU)
TEST TEMPERATURE : 50°C (122°F)



SYMBOLS



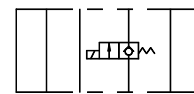
P T B A

MSC-02W-****-NC-**



P T B A

MSC-02A-****-NC-**

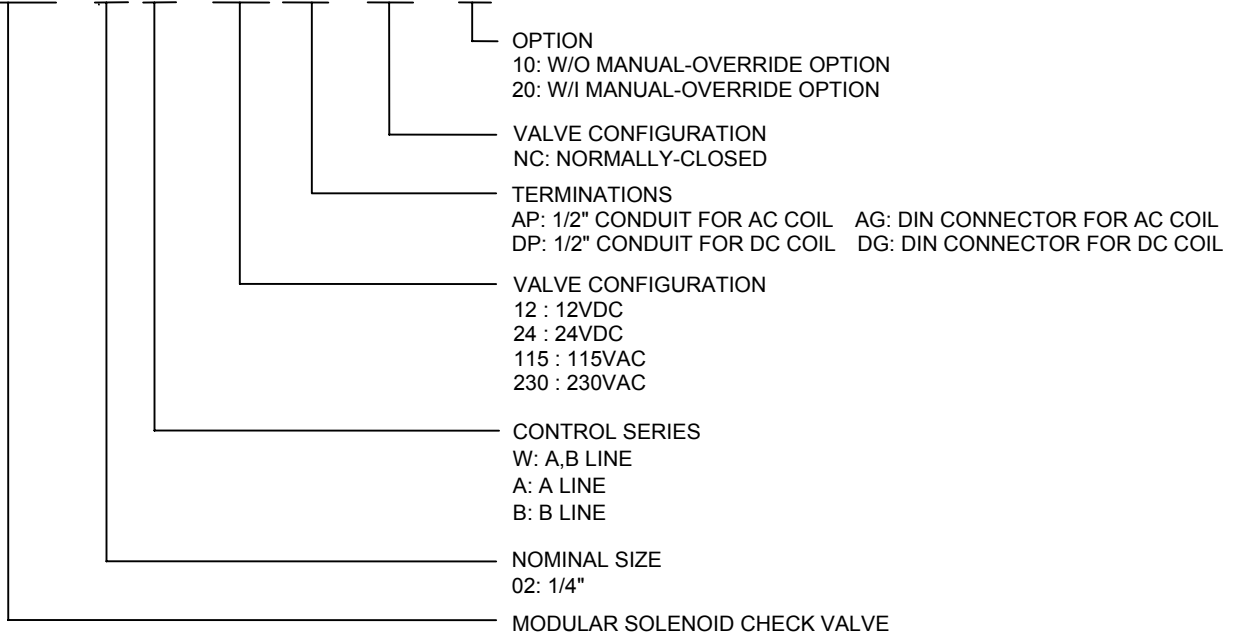


P T B A

MSC-02B-****-NC-**

HOW TO ORDER

MSC - 02 W - 230 AP - NC - 10



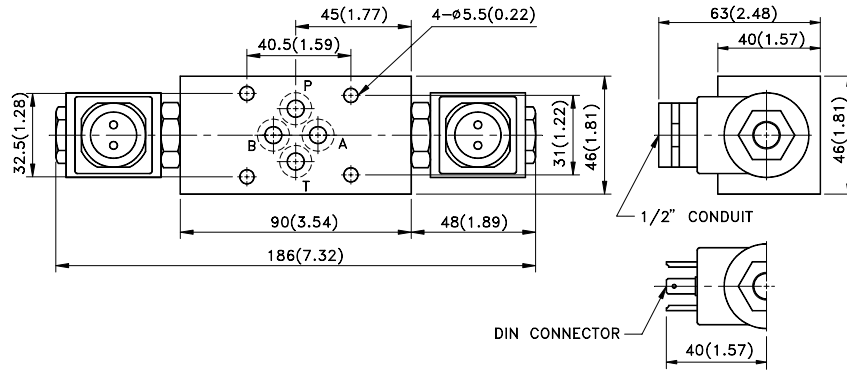
SPECIFICATIONS

MAX. OPERATING PRESSURE	210 kgf/cm (3000 PSI)
MAX. FLOW CAPACITY	30 LPM (8 GPM)

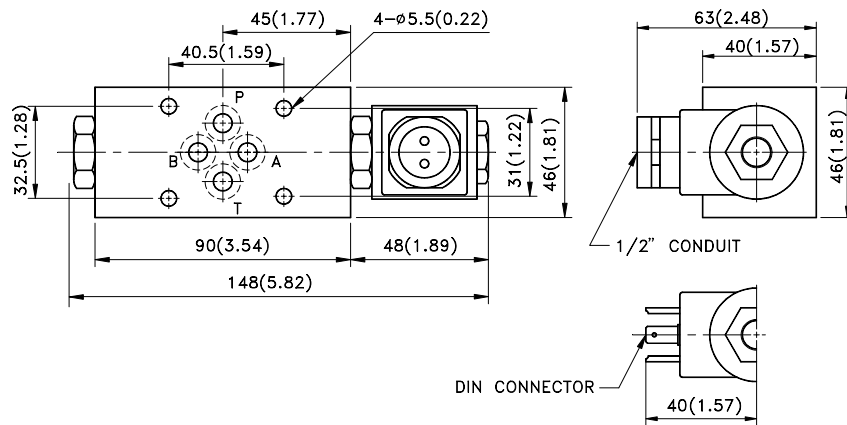
INSTALLATION DIMENSIONS

UNIT: mm(inch)

MSC - 02W - ***** - ** - **



MSC - 02A - ***** - ** - **



MSC - 02B - ***** - ** - **

