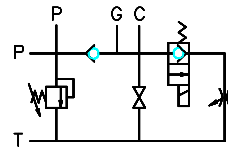




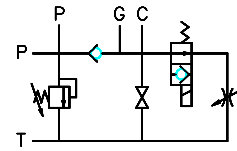
FEATURES

✧ It provides four functions in one integrated body-system relief, check, flow control and solenoid operated directional control feature which is particularly needed by whoever builds hydraulic lifters or uses single acting cylinder for hydraulic control mechanism.

SYMBOLS



NORMAL CLOSE

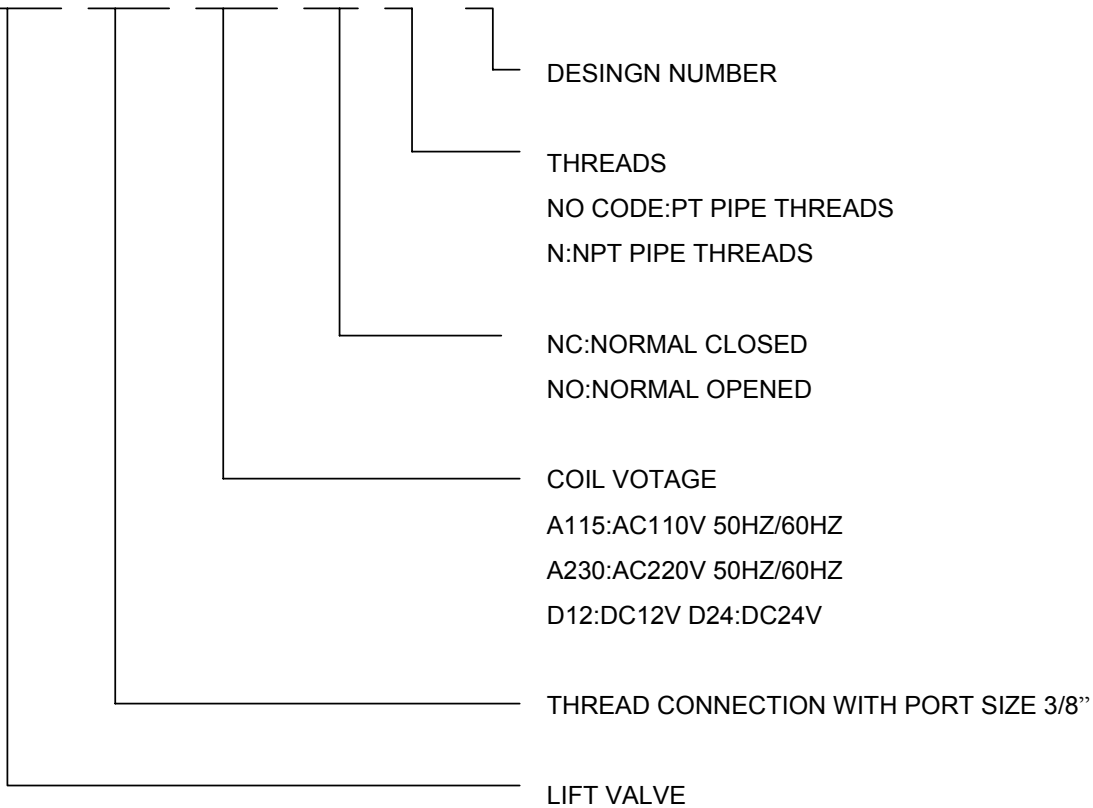


NORMAL OPEN

MAX. OPERATING PRESSURE	210 KGF/CM ² (3000PSI)
MAX. FLOW CAPACITY	20 LPM (5.3 GPM)
MAX. FREQUENCIES OF OPERATING	60 CPM
MAX. TANK LINE BACK PRESSURE	7 KGF/CM ² (100PSI)

HOW TO ORDER

KLV – T03 – A230 – NC – N - 10



ACCESSORIES & OTHERS
 FILTRATION CARTS

SOLENOID RATING

COIL DATA(14.7WATTS)		
SOLENOID COIL	VOLTAGE	HOLDING CURRENT(A)
AC115	AC115V/60HZ	0.13
AC230	AC230/60HZ	0.06
DC12	DC12	1.22
DC24	DC12	0.61

INSTALLATION DIMENSIONS

UNIT : mm(inch)

KLV-T03

