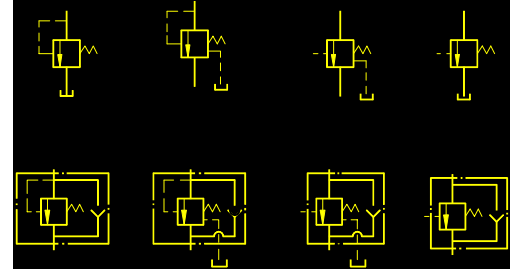


SYMBOLS

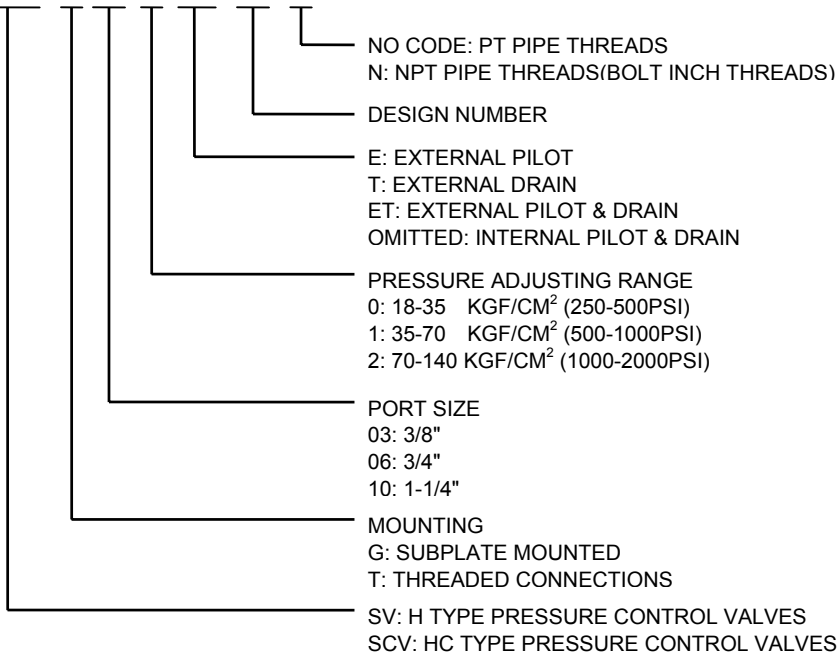


SPECIFICATIONS

MODEL	MAX. OPERATED PRESSURE KGF/CM ² (PSI)	PRESSURE ADJ. RANGE KGF/CM ² (PSI)	MAX. FLOW LPM(GPM)
SV/SCV-*03	210	0: 18-35(250-500)	50(13)
SV/SCV-*06	(3000)	1: 35-70(500-1000)	125(33)
SV/SCV-*10		2: 70-140(1000-2000)	250(66)

HOW TO ORDER

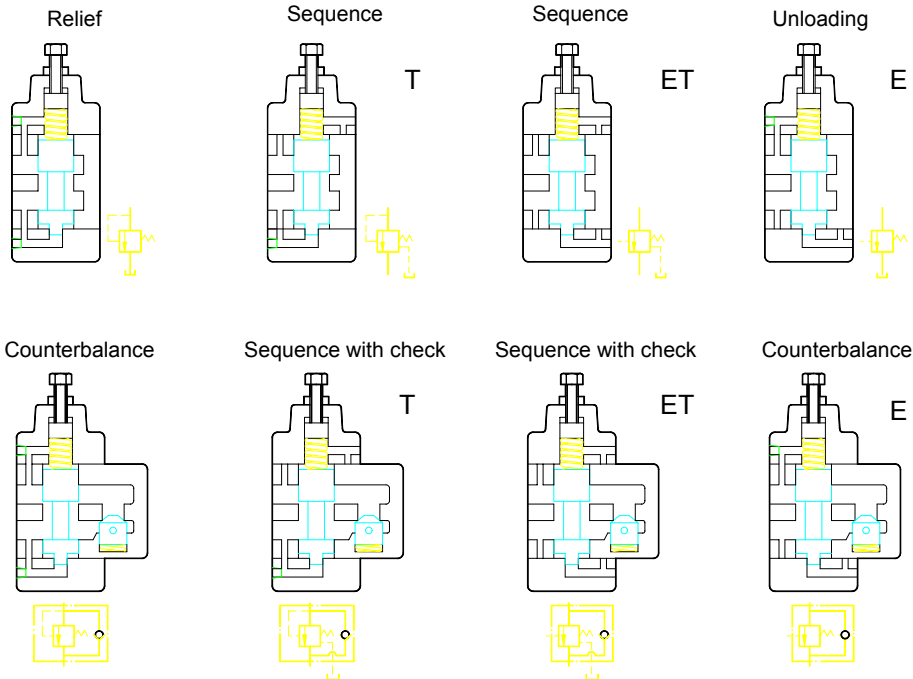
SCV-G06-0-ET-20-N



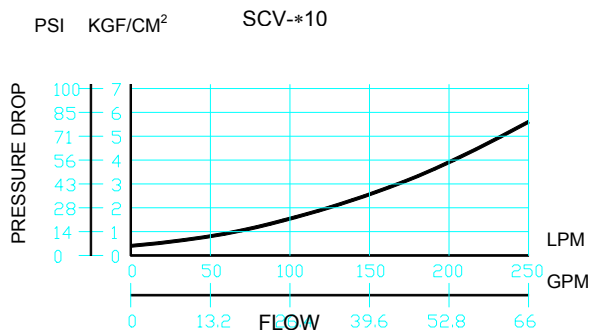
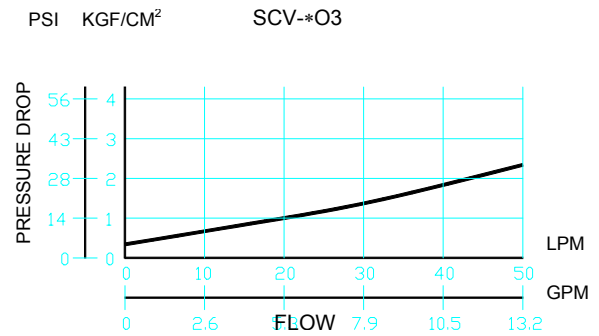
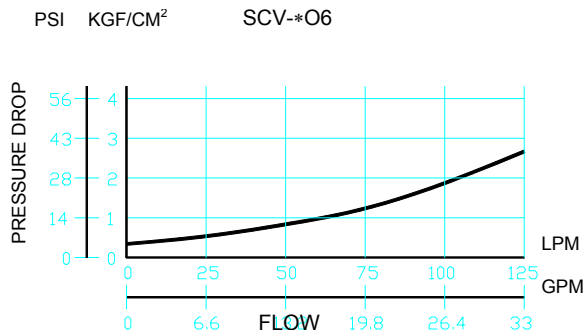
PRESSURE CONTROLS

H & HC TYPE PRESSURE CONTROL VALVE

VALVE TYPE



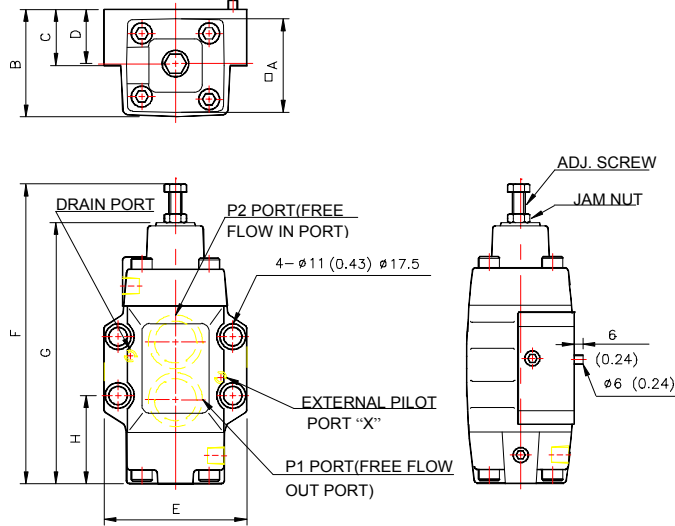
PERFORMANCE CURVES PRESSURE DROP FOR REVERSED FREE FLOW



INSTALLATION DIMENSIONS

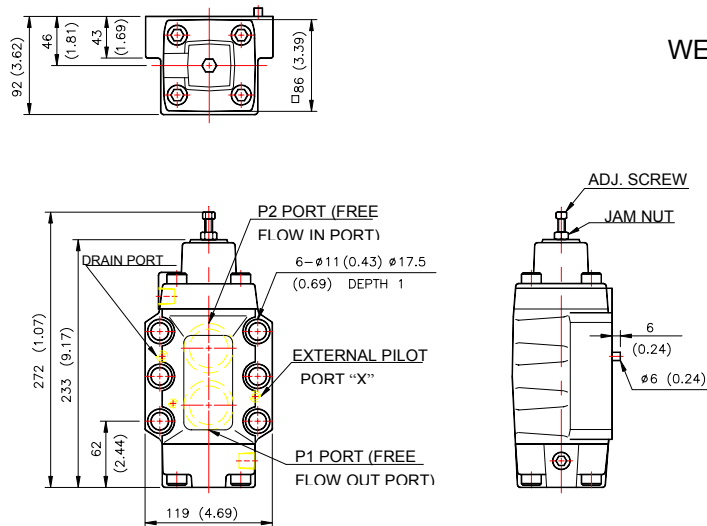
UNIT : mm(inch)

SV-G03/06



MODEL	A	B	C	D	E	F	G	H	BOLT	WEIGHT	
										KGS	LBS
SV-G03	60 (2.36)	67 (2.64)	41.7 (1.64)	39 (1.54)	89 (3.50)	195 (7.68)	170.3 (6.70)	52.3 (2.06)	M10x50x4PCS (3/8x2")	4.0	8.8
SV-G06	73 (2.87)	81 (3.19)	41.5 (1.63)	39 (1.54)	102 (4.02)	219 (8.62)	192 (7.56)	51 (2.01)	M10x50x4PCS (3/8x2")	6.1	13.4

SV-G10



UNIT : mm(inch)
WEIGHT : 11kgs(24.25lbs)

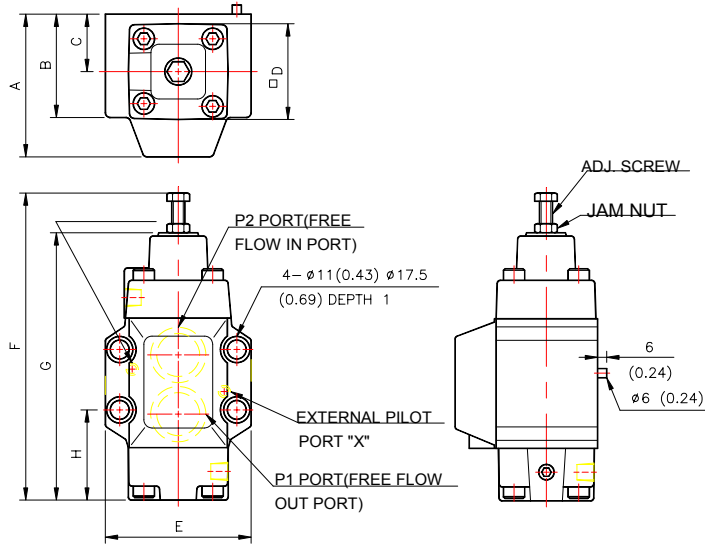
PRESSURE CONTROLS

H & HC TYPE PRESSURE CONTROL VALVE

INSTALLATION DIMENSIONS

UNIT : mm(inch)

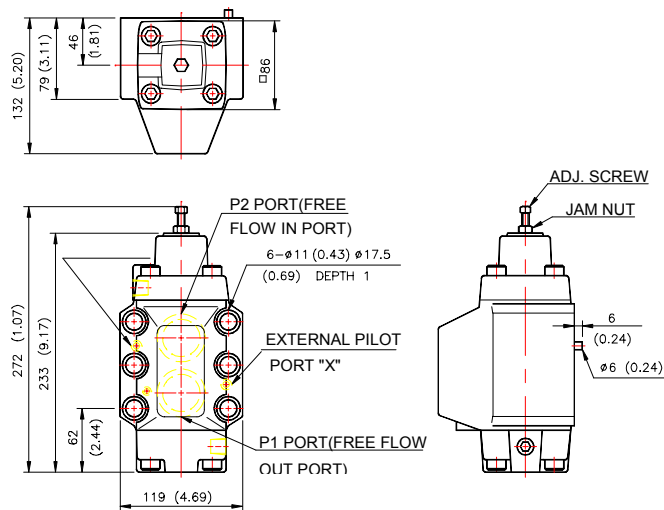
SCV-G03/06



MODEL	A	B	C	D	E	F	G	H	BOLT	WEIGHT	
										KGS	LBS
SCV-G03	87 (3.43)	59 (2.32)	35 (1.38)	60 (2.36)	89 (3.50)	191 (7.52)	170 (6.69)	49.6 (1.95)	M10x70x4PCS (3/8x2 -3/4")	4.8	10.6
SCV-G06	108 (4.25)	69 (2.72)	40 (1.57)	73 (2.87)	102 (4.02)	221 (8.70)	188 (7.40)	51 (2.01)	M10x80x4PCS (3/8x3 -1/4")	7.8	17.2

UNIT : mm(inch)
WEIGHT : 11kgs(24.25lbs)

SCV-G10

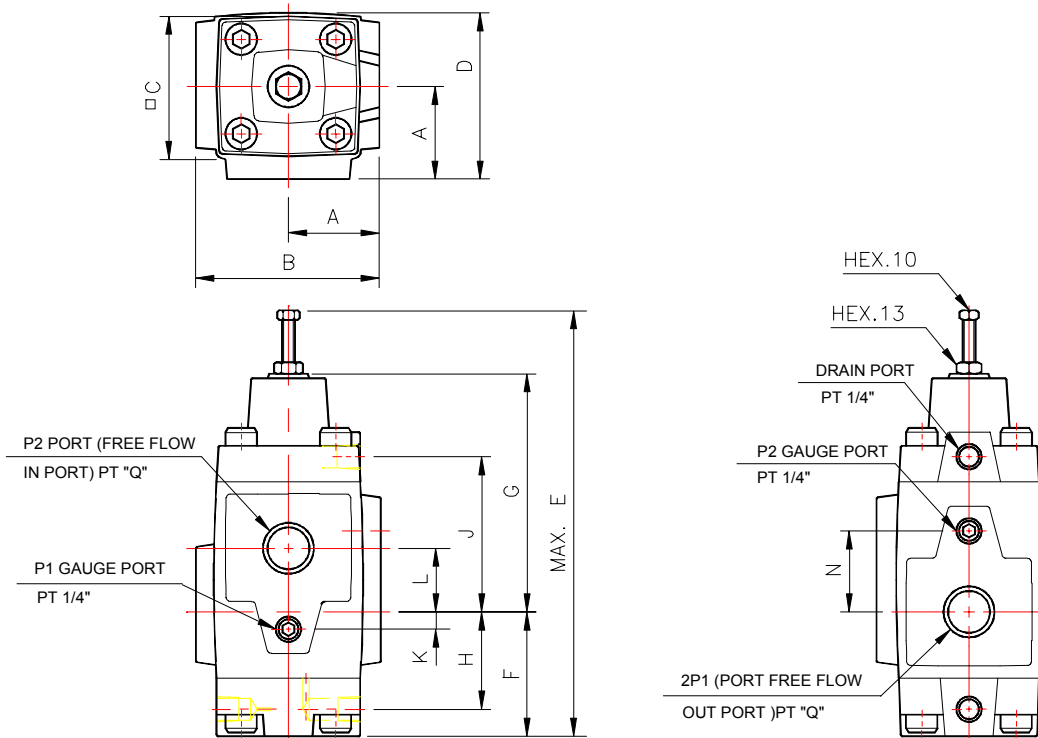




INSTALLATION DIMENSIONS

UNIT : mm(inch)

SV-T03/06/10



MODEL	A	B	C	D	E	F	G	H
SV-T03	42 (1.65)	84 (3.31)	61 (2.40)	74 (2.91)	195 (7.68)	57 (2.24)	106 (4.17)	43 (1.69)
SV-T06	48 (1.89)	96 (3.78)	73 (2.87)	86 (3.39)	219 (8.62)	64.5 (2.54)	123.5 (4.86)	50.5 (1.99)
SV-T10	68.5 (2.70)	137 (5.39)	84 (3.31)	103 (4.05)	272 (10.71)	84 (3.31)	149 (5.87)	66 (2.60)

MODEL	J	K	L	N	Q	WEIGHT	
						KGS	LBS
SV-T03	70 (2.76)	0 (0)	28 (1.10)	28 (1.10)	3/8 (1/2)	3.7	8.1
SV-T06	80.5 (3.17)	9 (0.35)	33 (1.30)	42 (1.65)	3/4 (1)	6.2	13.6
SV-T10	98 (3.86)	12 (0.47)	40 (1.57)	52 (2.05)	1 1/4 (1 1/2)	120	26.4

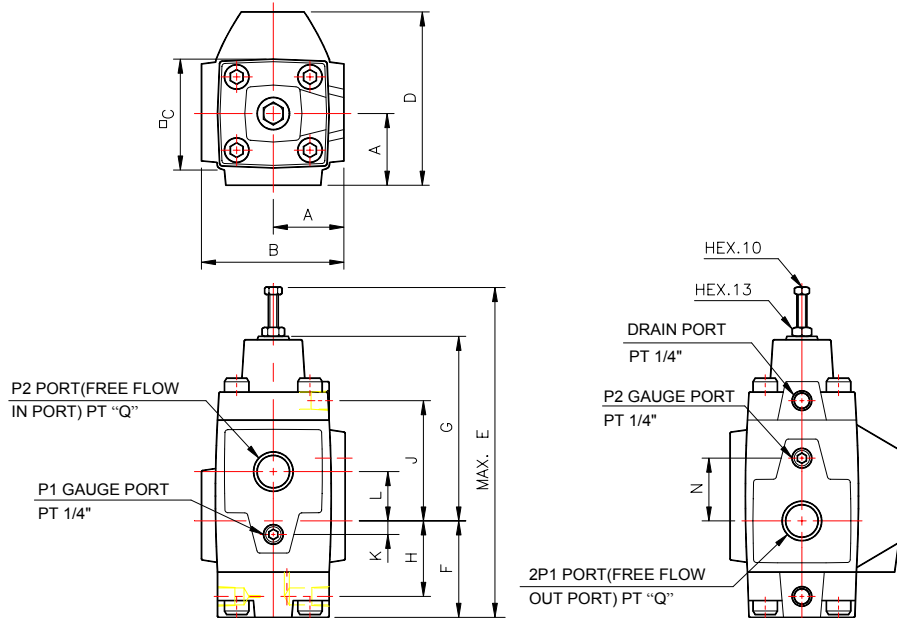
PRESSURE CONTROLS

H & HC TYPE PRESSURE CONTROL VALVE

INSTALLATION DIMENSIONS

SCV-T03/06/10

UNIT : mm(inch)

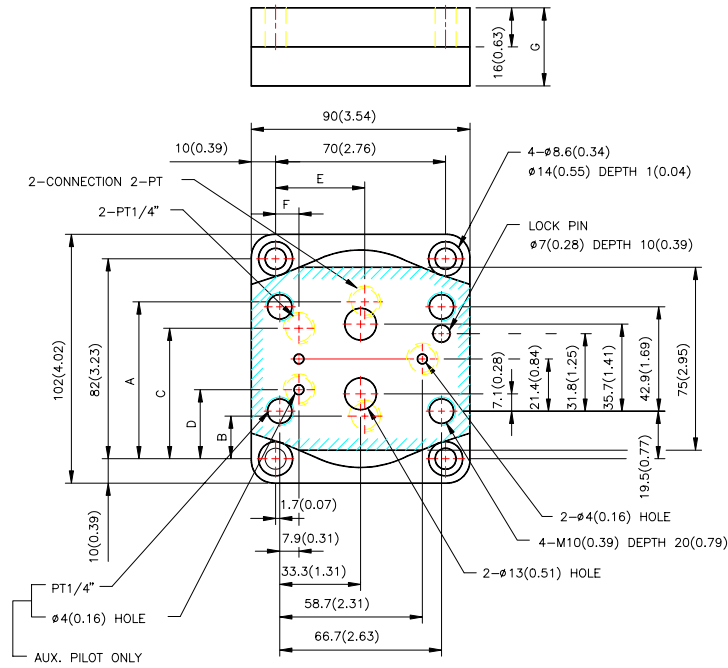


MODEL	A	B	C	D	E	F	G	H
SCV-T03	41 (1.61)	82 (3.23)	63 (2.48)	96 (3.78)	194 (7.64)	59 (2.32)	110 (4.33)	43 (1.69)
SCV-T06	50 (1.97)	100 (3.94)	76 (2.99)	118 (4.65)	223.5 (8.80)	64.5 (2.54)	123.5 (4.86)	50.5 (1.99)
SCV-T10	68.5 (2.70)	137 (5.39)	84 (3.31)	156 (6.14)	269 (10.59)	84 (3.31)	149 (5.87)	66 (2.60)

MODEL	J	K	L	N	Q	WEIGHT	
						KGS	LBS
SCV-T03	70 (2.76)	0 (0)	28 (1.10)	28 (1.10)	3/8 (1/2)	4.2	4.2
SCV-T06	80.5 (3.17)	9 (0.35)	33 (1.30)	42 (1.65)	3/4 (1)	7.5	16.5
SCV-T10	98 (3.86)	12 (0.47)	40 (1.57)	52 (2.05)	1 1/4 (1 1/2)	13.8	30.4



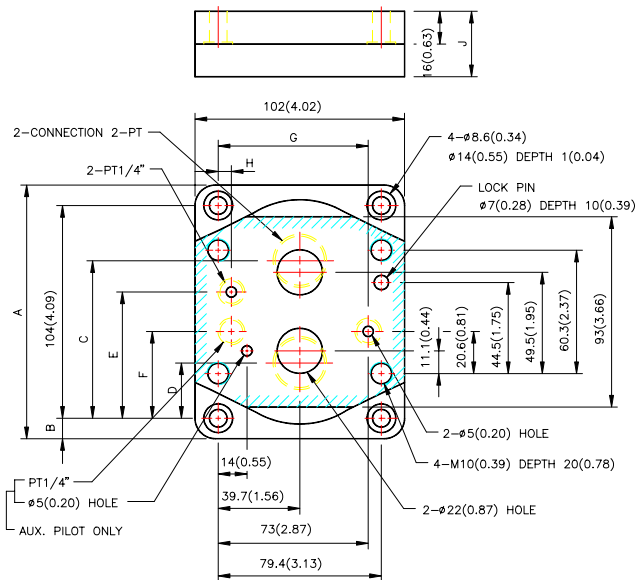
ISO 5781-AG-06-2-A



THIS SUBPLATE IS USED FOR SV/SCV-G03, PCV/PCDV-G03, PRV/PRCV-G03, V/TCV-G03, CV-G03

SUBPLATE	PORT PT	A	B	C	D	E	F	G
SVM-03-03	3/8	61	21	40.9	-	35	9.6	32
SVM-03-04	1/2	61	21	40.9	-	35	9.6	32

ISO 5781-AH-08-2-A



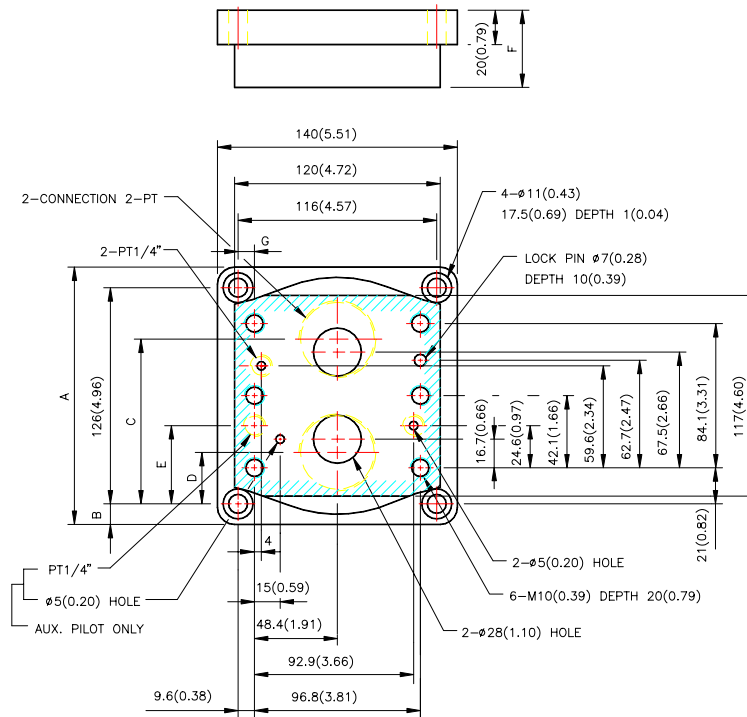
THIS SUBPLATE IS USED FOR SV/SCV-G06, PCV/PCDV-G06, PRV/PRCV-G06, TV/TCV-G06, CV-G06

SUBPLATE	PORT PT	A	B	C	D	E	F	G	H	J
SVM-06-06	3/4	124	10	77	27	61.7	-	73	6.4	36
SVM-06-08	1	136	16	82.3	22	61.7	-	73	6.4	45

SUBPLATE

ISO 5781-AJ-10-2-A

UNIT : mm(inch)



THIS SUBPLATE IS USED FOR SV/SCV-G10, PCV/PCDV-G10, PRV/PRCV-G10, TV/TCV-G10, CV-G10

SUBPLATE	PORT PT	A	B	C	D	E	F	G
SVM-10-10	1 1/4	150	12	96	30	-	45	13.6
SVM-10-12	1 1/2	177	25.5	104	22	-	50	13.6

HOW TO ORDER

SVM-03-03-N

