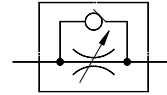




SYMBOLS



TV



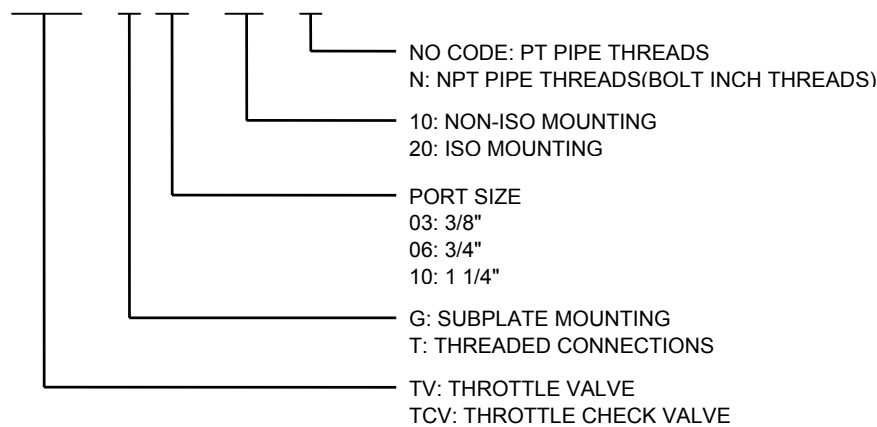
TCV

SPECIFICATION

MODEL NUMBERS		MAX. OPERATED PRESSURE KGF/CM ² (PSI)	RATED FLOW LPM (GPM)	WEIGHT	
THREAD TYPE	SUBPLATE TYPE			KGS (LBS)	
TV-T03	TV-G03	210 (3000)	30 (8)	1.4(3.1)	1.5(3.1)
TCV-T03	TCV-G03			1.5(3.1)	2.1(4.6)
TV-T06	TV-G06		80 (20)	2.6(5.7)	2.7(6.0)
TCV-T06	TCV-G06			3.5(7.7)	4.0(8.8)
TV-T10	TV-G10		200 (50)	6.1(13.5)	5.2(11.5)
TCV-T10	TCV-G10			7.4(16.3)	8.1(17.8)

HOW TO ORDER

TCV - G03 - 10 - N

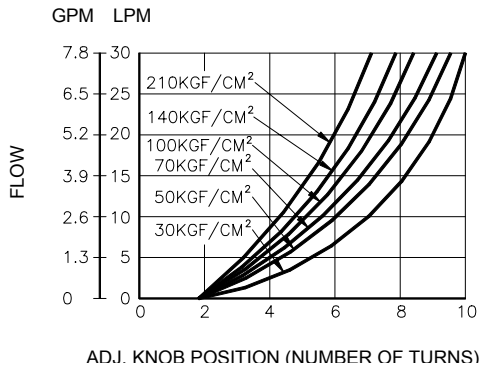


FLOW CONTROLS
THROTTE VALVES

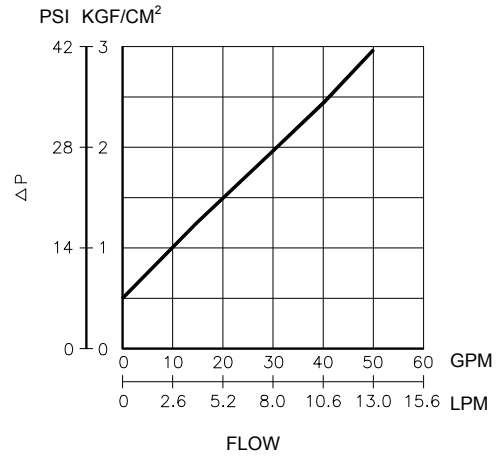
PERFORMANCE CURVES

METERED FLOW vs. ADJUSTMENT REVOLUTIONS PRESSURE DROP

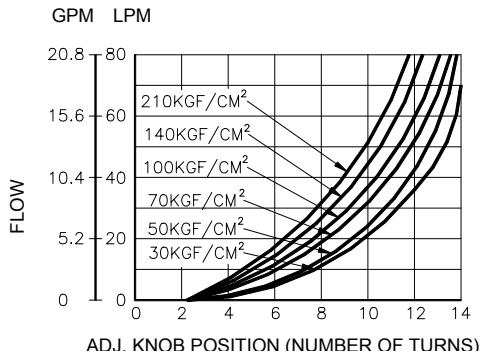
TV-*03 TCV-*03



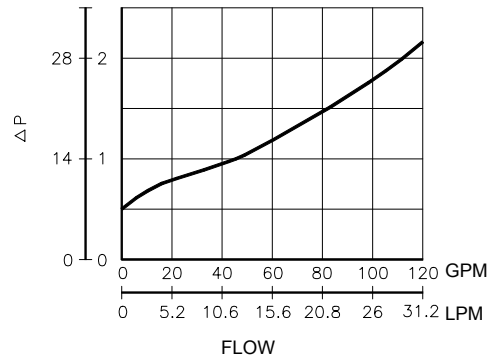
TV-*03 TCV-*03



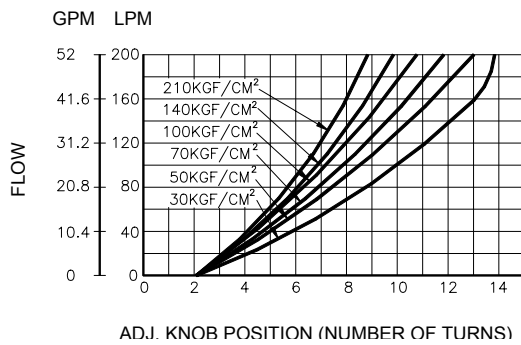
TV-*06 TCV-*06



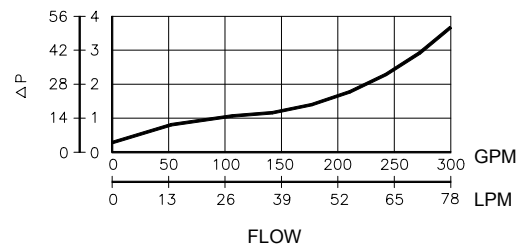
TV-*06 TCV-*06



TV-*10 TCV-*10



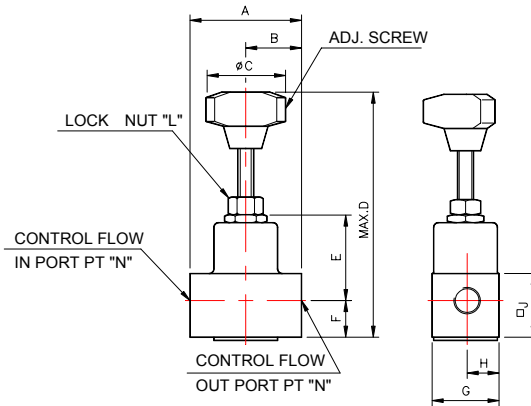
TV-*10 TCV-*10



INSTALLATION DIMENSIONS

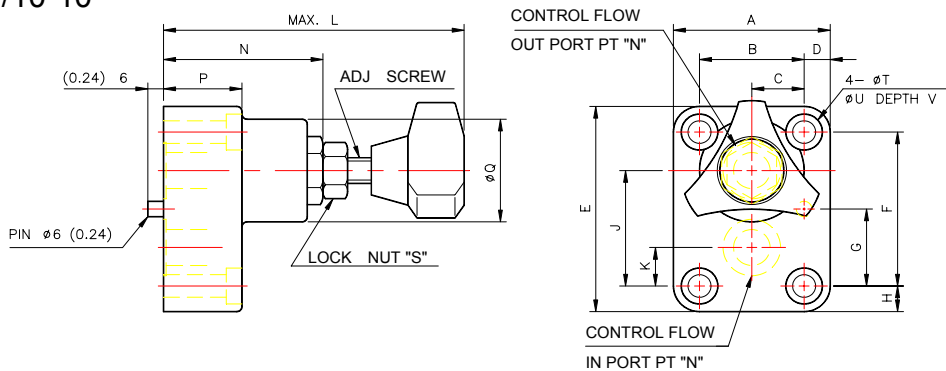
UNIT : mm(inch)

TV-T03/06/10-10



MODEL	A	B	C	D	E	F	G	H	J	L	N
TV-T03	70 (2.76)	35 (1.38)	40 (1.57)	143 (5.63)	54 (2.13)	23 (0.91)	42 (1.65)	20 (0.79)	40 (1.57)	19 (0.75)	3/8
TV-T06	100 (3.94)	50 (1.97)	40 (1.57)	136.5 (5.37)	62 (2.44)	30 (1.18)	62 (2.44)	30 (1.18)	60 (2.36)	19 (0.75)	3/4
TV-T10	130 (5.12)	65 (2.56)	56 (2.20)	173 (6.81)	73 (2.87)	40 (1.57)	82 (3.23)	40 (1.57)	80 (3.15)	22 (0.87)	1 1/4

TV-G03/06/10-10



MODEL	A	B	C	D	E	F	G	H	J
TV-G03	60 (2.36)	40 (1.57)	20 (0.79)	10 (0.39)	80 (3.14)	60 (2.36)	30 (1.18)	10 (0.39)	45 (1.77)
TV-G06	80 (3.15)	58 (2.28)	29 (1.14)	11 (0.43)	92 (3.62)	70 (2.76)	35 (1.38)	11 (0.43)	54 (2.13)
TV-G10	100 (3.94)	72 (2.83)	36 (1.42)	14 (0.55)	120 (4.72)	92 (3.62)	46 (1.81)	14 (0.55)	71 (2.80)

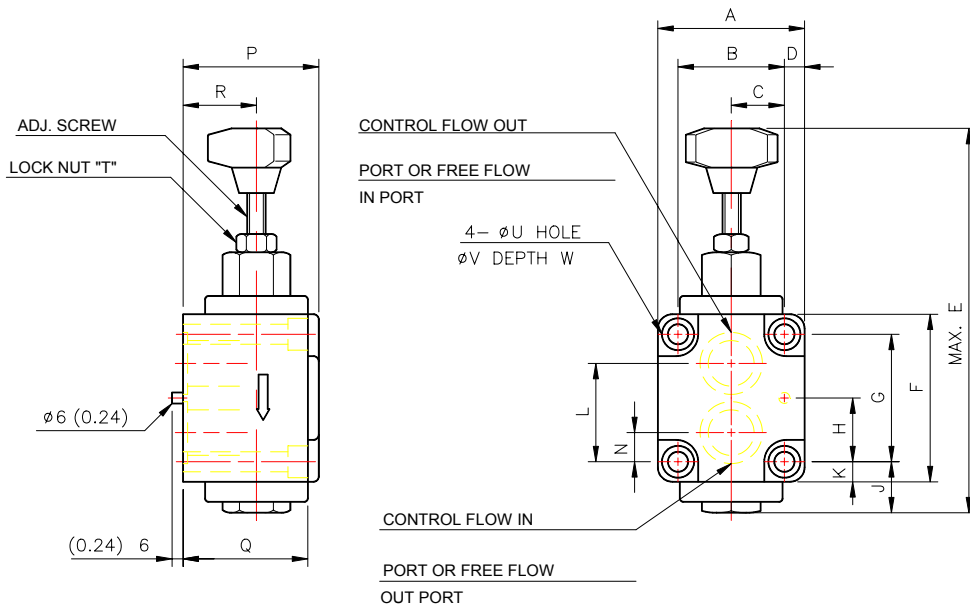
MODEL	K	L	N	P	Q	S	T	U	V
TV-G03	15 (0.59)	100 (3.94)	65 (2.56)	30 (1.18)	44 (1.73)	19 (0.75)	9 (0.35)	14 (0.55)	8.6 (0.34)
TV-G06	16 (0.63)	117.5 (4.63)	73 (2.87)	42 (1.65)	41.5 (1.63)	23 (0.90)	11 (0.43)	17.5 (0.69)	10.8 (0.43)
TV-G10	21 (0.83)	145 (5.71)	100 (3.94)	55 (2.17)	56 (2.20)	23 (0.90)	13.5 (0.53)	21 (0.83)	1.0 (0.04)

FLOW CONTROLS
THROTTE VALVES

INSTALLATION DIMENSIONS

UNIT : mm(inch)

TCV-G03/06/10-10



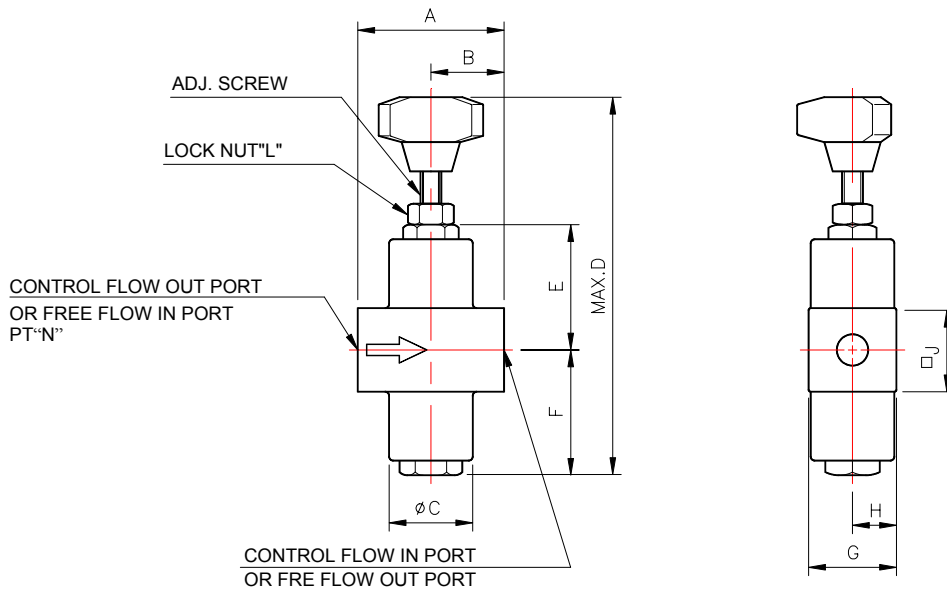
MODEL	A	B	C	D	E	F	G	H	J
TCV-G03	60 (2.36)	40 (1.57)	20 (0.79)	10 (0.39)	179 (7.05)	80 (3.14)	60 (2.36)	30 (1.18)	28 (1.10)
TCV-G06	80 (3.15)	58 (2.28)	29 (1.14)	11 (0.43)	213 (8.39)	95 (3.74)	70 (2.76)	35 (1.38)	30 (1.18)
TCV-G10	100 (3.94)	72 (2.83)	36 (1.42)	14 (0.55)	228 (8.98)	120 (4.72)	92 (3.62)	46 (1.81)	31 (1.22)

MODEL	K	L	N	P	Q	R	T	U	V	W
TCV-G03	10 (0.39)	45 (1.77)	15 (0.59)	62 (2.44)	55 (2.17)	35 (1.38)	19 (0.75)	8.8 (0.35)	14 (0.55)	8.6 (0.34)
TCV-G06	11 (0.43)	54 (2.13)	16 (0.63)	74 (2.91)	68 (2.68)	40 (1.57)	19 (0.75)	11 (0.43)	17.5 (0.69)	10.8 (0.43)
TCV-G10	14 (0.55)	71 (2.80)	21 (0.83)	97 (3.82)	82 (3.23)	50 (1.97)	22 (0.87)	13.5 (0.53)	21 (0.83)	1 (0.04)

INSTALLATION DIMENSIONS

UNIT : mm(inch)

TCV-T03/06/10-10



MODEL	A	B	C	D	E	F	G	H	J	L	N
TCV-T03	70 (2.76)	35 (1.38)	40 (1.57)	180 (7.08)	62.5 (2.46)	58 (2.28)	42 (1.65)	21 (0.82)	40 (1.57)	19 (0.75)	3/8
TCV-T06	100 (3.94)	50 (1.97)	60 (2.36)	215 (8.46)	83 (3.27)	65 (2.56)	62 (2.44)	31 (1.22)	60 (2.36)	19 (0.75)	3/4
TCV-T10	130 (5.12)	65 (2.56)	80 (3.15)	228 (8.98)	106 (4.17)	77 (3.03)	82 (3.23)	41 (1.61)	80 (3.15)	22 (0.87)	1-1/4

FLOW CONTROLS
THROTTE VALVES

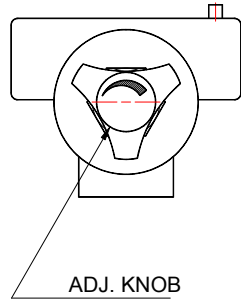
INSTALLATION DIMENSIONS

UNIT : mm(inch)

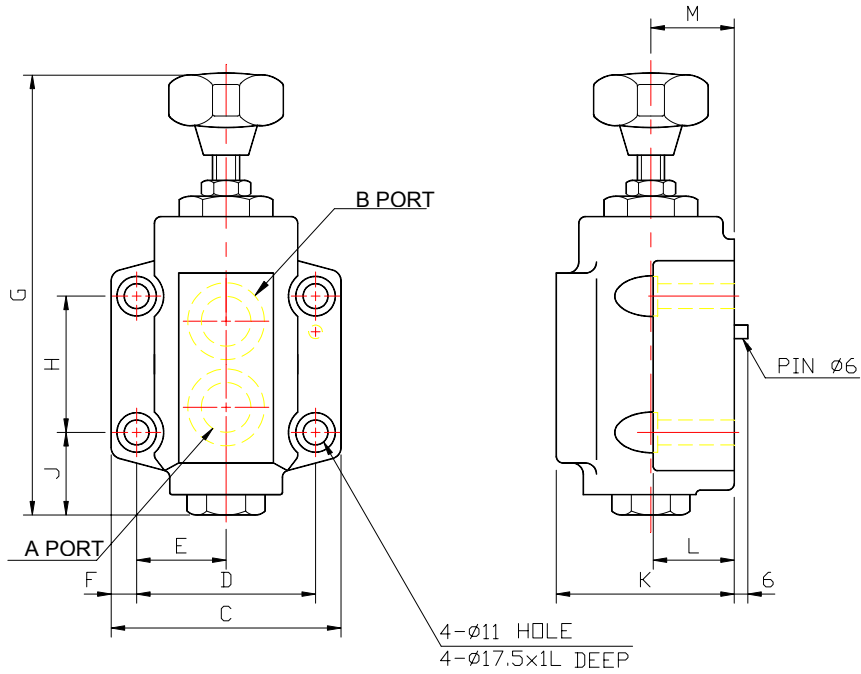
TV/TCV-G03/06

TV/TCV-G03: ISO 5781-AG-06-2-A

TV/TCV-G06: ISO 5781-AH-08-2-A



MODEL	A PORT	B PORT
TV - 03	CONTROL FLOW	CONTROL FLOW
- 06	IN PORT	OUT PORT
TCV - 03	CONTROL FLOW	CONTROL FLOW
- 06	IN PORT OR FREE FLOW OUT PORT	OUT PORT OR FREE FLOW IN PORT



MODEL	C	D	E	F	G	H	J	K
TV/TCV-G03	90(3.54)	66.7(2.63)	33.3(1.31)	11.7(0.46)	173(6.81)	42.9(1.69)	32(1.26)	64(2.52)
TV/TCV-G06	102(4.02)	79.4(3.13)	39.7(1.56)	11.3(0.44)	203(7.99)	60.3(2.37)	36.5(1.44)	79(3.11)

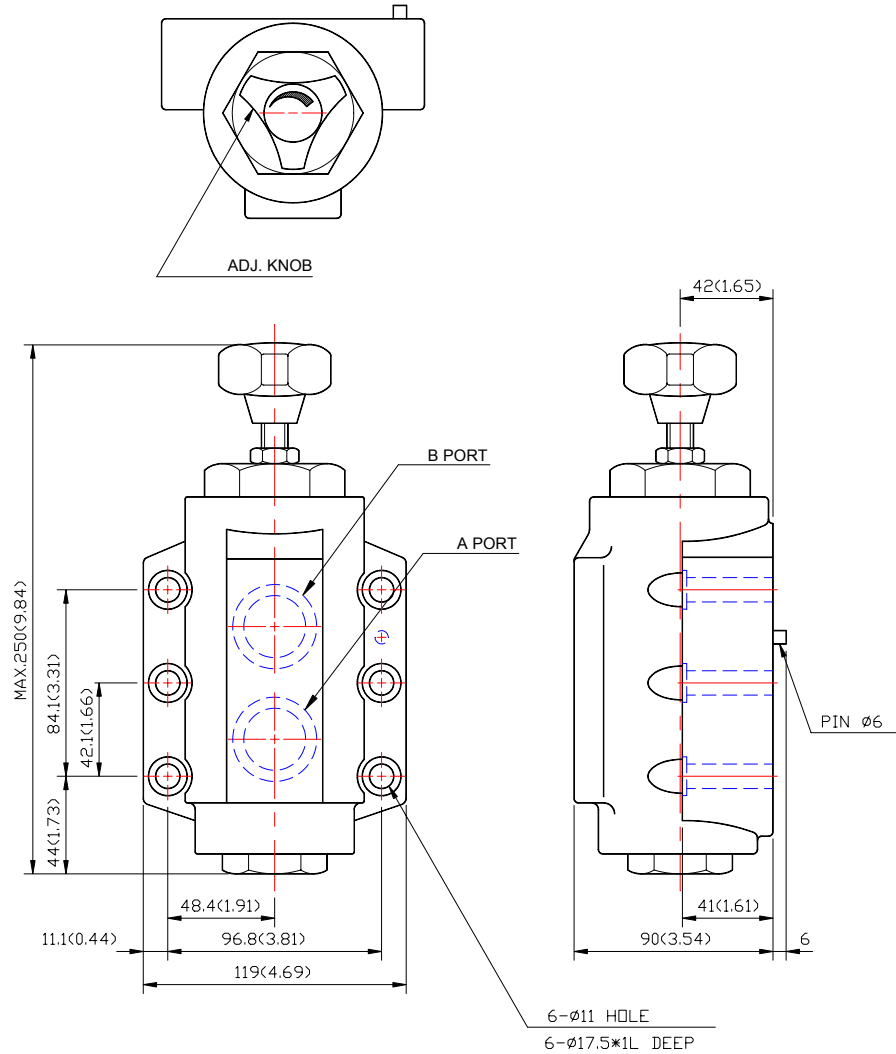
MODEL	L	M
TV/TCV-G03	31(1.22)	31(1.22)
TV/TCV-G06	36(1.42)	37(1.46)

INSTALLATION DIMENSIONS

UNIT : mm(inch)

TV/TCV-G10

TV/TCV-G10: ISO 5781-AJ-10-2-A



MODEL	A PORT	B PORT
TV-G10	CONTROL FLOW IN PORT	CONTROL FLOW OUT PORT
TCV-G10	CONTROL FLOW IN PORT OR FREE FLOW OUT PORT	CONTROL FLOW OUT PORT OR FREE FLOW IN PORT

SUBPLATE

INSTALLATION DIMENSIONS

UNIT : mm(inch)

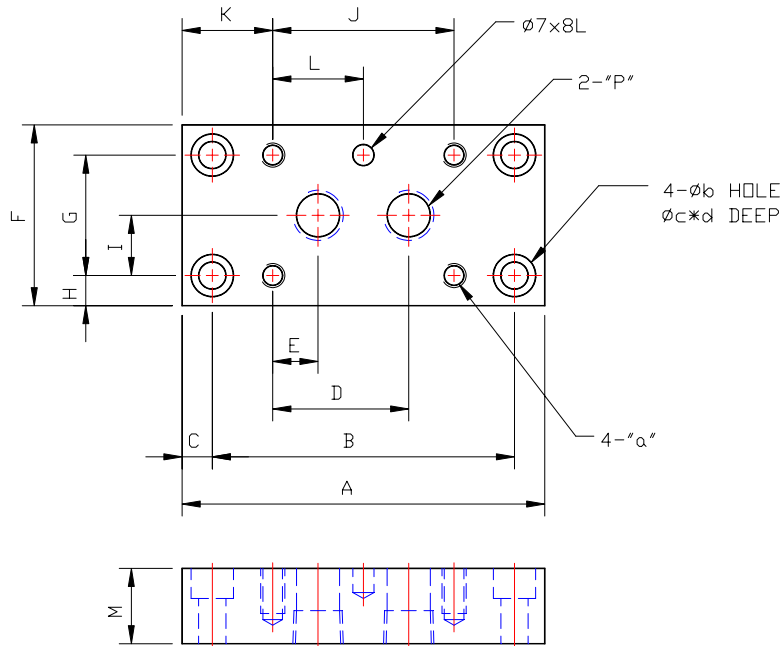
TVM - 03 - 03 - N

NO CODE: PT THREADS
N: NPT THREADS

SUBPLATE PORT SIZE
03: 3/8"
06: 3/4"
10: 1-1/4"

VALVE PORT SIZE
03: 3/8"
06: 3/4"
10: 1-1/4"

SUBPLATE FOR NON-ISO STANDARD TV/TCV



MODEL	A	B	C	D	E	F	G	H	I	J
TVM-03	120 (4.72)	100 (3.94)	10 (0.39)	45 (1.77)	15 (0.59)	60 (2.36)	40 (1.57)	10 (0.39)	20 (0.79)	60 (2.36)
TVM-06	134 (5.28)	110 (4.33)	12 (0.47)	54 (2.13)	16 (0.63)	82 (3.23)	58 (2.28)	12 (0.47)	29 (1.14)	70 (2.76)
TVM-10	160 (6.30)	132 (5.20)	14 (0.55)	71 (2.80)	21 (0.83)	100 (3.94)	72 (2.83)	14 (0.55)	36 (1.42)	92 (3.62)

MODEL	K	L	M	P	a	b	c	d
TVM-03	30 (1.18)	30 (1.18)	25 (0.98)	3/8"	M8x15L 5/16"x0.6"L	9 (0.35)	14 (0.55)	10 (0.39)
TVM-06	32 (1.26)	35 (1.38)	32 (1.26)	3/4"	M10x20L 3/8"x0.8"L	11 (0.43)	18 (0.71)	12 (0.47)
TVM-10	34 (1.34)	46 (1.81)	50 (1.97)	1-1/4"	M12x35L 1/2"x1.4"L	13 (0.51)	20 (0.79)	14 (0.55)