

Model No

VQ Series Double Pump

(F3) 3525 VQ 21 (C)11(S)1 CC 20 (L)

F3 - VITON SEALS
 OMIT - STANDARD BUNA N

PUMP SERIES DESIGNATION

2520 3525 4525
 3520 4520 4535

FLEX PLATE VANE TYPE PUMP

GPM CAPACITY-SHAFT END PUMP

(SAE RATING 1200 RPM-100PSI)

25xxVQ	35xxVQ	45xxVQ
12	25	42
14	30	50
17	35	60
21	38	

SAE PORT CONNECTIONS

MODELS WITHOUT FLOW CONTROL

CODE	INLET	OUTLET NO.1 SHAFT END	OUTLET NO.2 COVER END	PUMP SERIES
A	SAE 4 - bolt fig.	SAE 4 - bolt fig.	SAE 4 - bolt fig.	ALL
AM	Metric 4 - bolt fig.	Metric 4 - bolt fig.	Metric 4 - bolt fig.	ALL
C	SAE 4 - bolt fig.	SAE str. thd.	SAE str. thd.	2520VQ
E	SAE 4 - bolt fig.	SAE 4 - bolt fig.	SAE str. thd.	ALL BUT 4535
F	SAE 4 - bolt fig.	SAE str. thd.	SAE 4 - bolt fig.	2520VQ

GPM CAPACITY-COVER END PUMP

(SAE RATING 1200 RPM-100 PSI), US gpm

xx20VQ	xx25VQ	xx35VQ
5	12	25
8	14	30
11	17	35
12	21	38
14		

MOUNTING & SHAFT SEAL ASSEMBLY

F - Foot (single shaft seal)

OMIT - FOR flange mount with single shaft seal

SHAFT TYPE

SINGLE SHAFT SEAL PUMPS

1-STRAIGHT KEYED

11-SPLINED

86-Stright key, heavy duty

SHAFT ROTATION

(VIEWED FROM SHAFT END)

L - LEFT HAND , OMIT - FOR RIGHT HAND

DESIGN NUMBER

OUTLET POSITIONS

(VIEWED FROM COVER END OF PUMP)

ALL SERIES EXCEPT 4535VQ

WITH NO.1OUTLET OPPOSITE INLET

AA-NO.2 OUTLET 135° CCW FROM INLET

AB-NO.2 OUTLET 45° CCW FROM INLET

AC-NO.2 OUTLET 45° CW FROM INLET

AD-NO.2 OUTLET 135° CW FROM INLET

WITH NO.1 OUTLET 90° CCW FROM INLET

BA-NO.2 OUTLET 135° CCW FROM INLET

BB-NO.2 OUTLET 45° CCW FROM INLET

BC-NO.2 OUTLET 45° CW FROM INLET

BD-NO.2 OUTLET 135° CW FROM INLET

WITH NO.1 OUTLET INLINE WITH INLET

CA-NO.2 OUTLET 135° CCW FROM INLET

CB-NO.2 OUTLET 45° CCW FROM INLET

CC-NO.2 OUTLET 45° CW FROM INLET

CD-NO.2 OUTLET 135° CW FROM INLET

WITH NO.1 OUTLET 90° CW FROM INLET

DA-NO.2 OUTLET 135° CCW FROM INLET

DB-NO.2 OUTLET 45° CCW FROM INLET

DC-NO.2 OUTLET 45° CW FROM INLET

DD-NO.2 OUTLET 135° CW FROM INLET

SERIES 4535 VQ

WITH NO.1OUTLET OPPOSITE INLET

AA-NO.2 OUTLET OPOSITE INLET

AB-NO.2 OUTLET 90° CCW FROM INLET

AC-NO.2 OUTLET INLINE WITH INLET

AD-NO.2 OUTLET 90° CW FROM INLET

WITH NO.1 OUTLET 90° CCW FROM INLET

BA-NO.2 OUTLET OPPOSITE INLET

BB-NO.2 OUTLET 90° CCW FROM INLET

BC-NO.2 OUTLET INLINE WITH INLET

BD-NO.2 OUTLET 90° CW FROM INLET

WITH NO.1 OUTLET INLINE WITH INLET

CA-NO.2 OUTLET OPPOSITE INLET

CB-NO.2 OUTLET 90° CCW FROM INLET

CC-NO.2 OUTLET INLINE WITH INLET

CD-NO.2 OUTLET 90° CW FROM INLET

WITH NO.1 OUTLET 90° CW FROM INLET

DA-NO.2 OUTLET OPPOSITE INLET

DB-NO.2 OUTLET 90° CCW FROM INLET

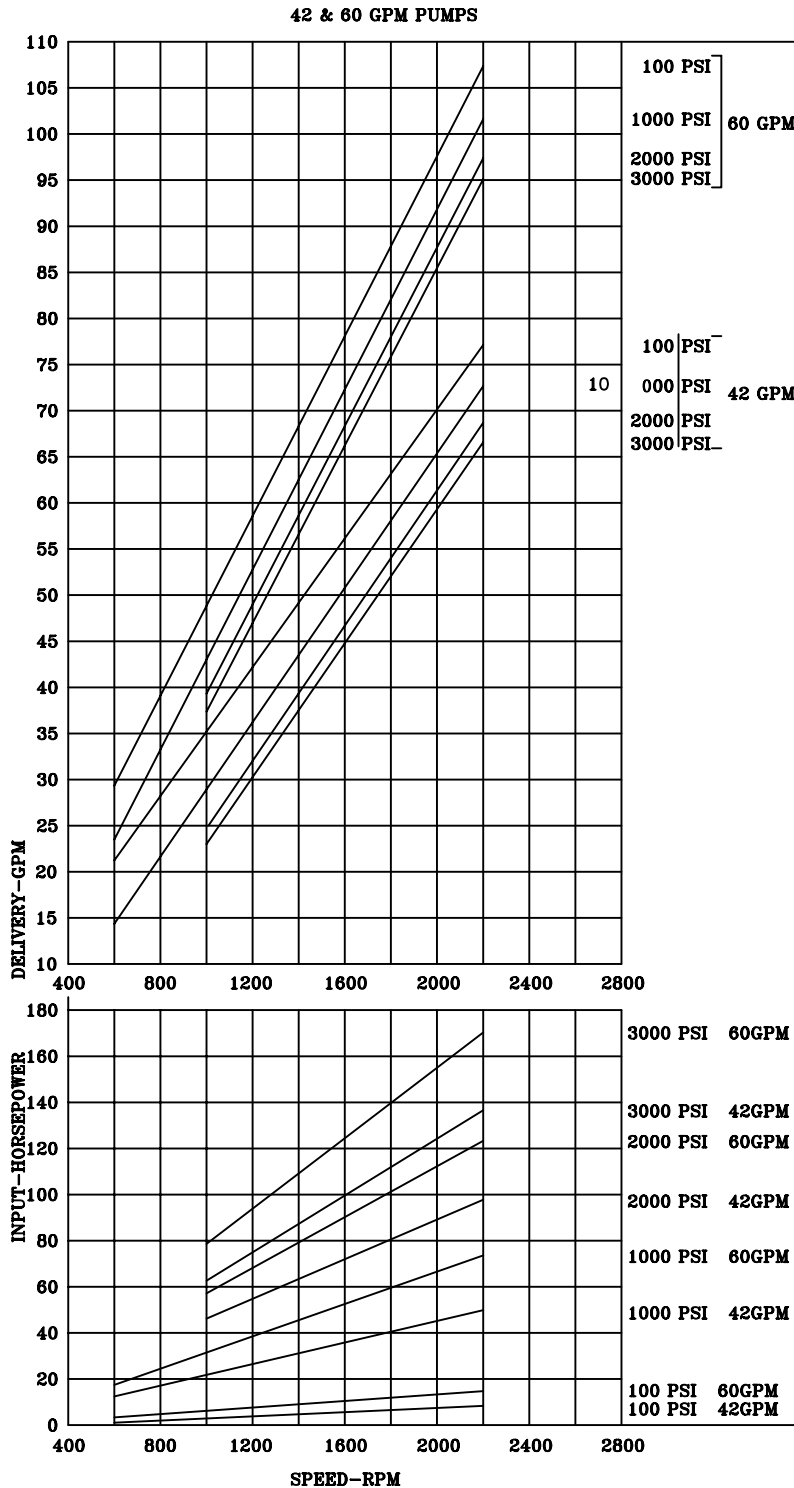
DC-NO.2 OUTLET INLINE WITH INLET

DD-NO.2 OUTLET 90° CW FROM INLET

PERFORMANCE CURVES

Ring Size - 42 & 60 GPM
 45**VQ Double Pump - Shaft End

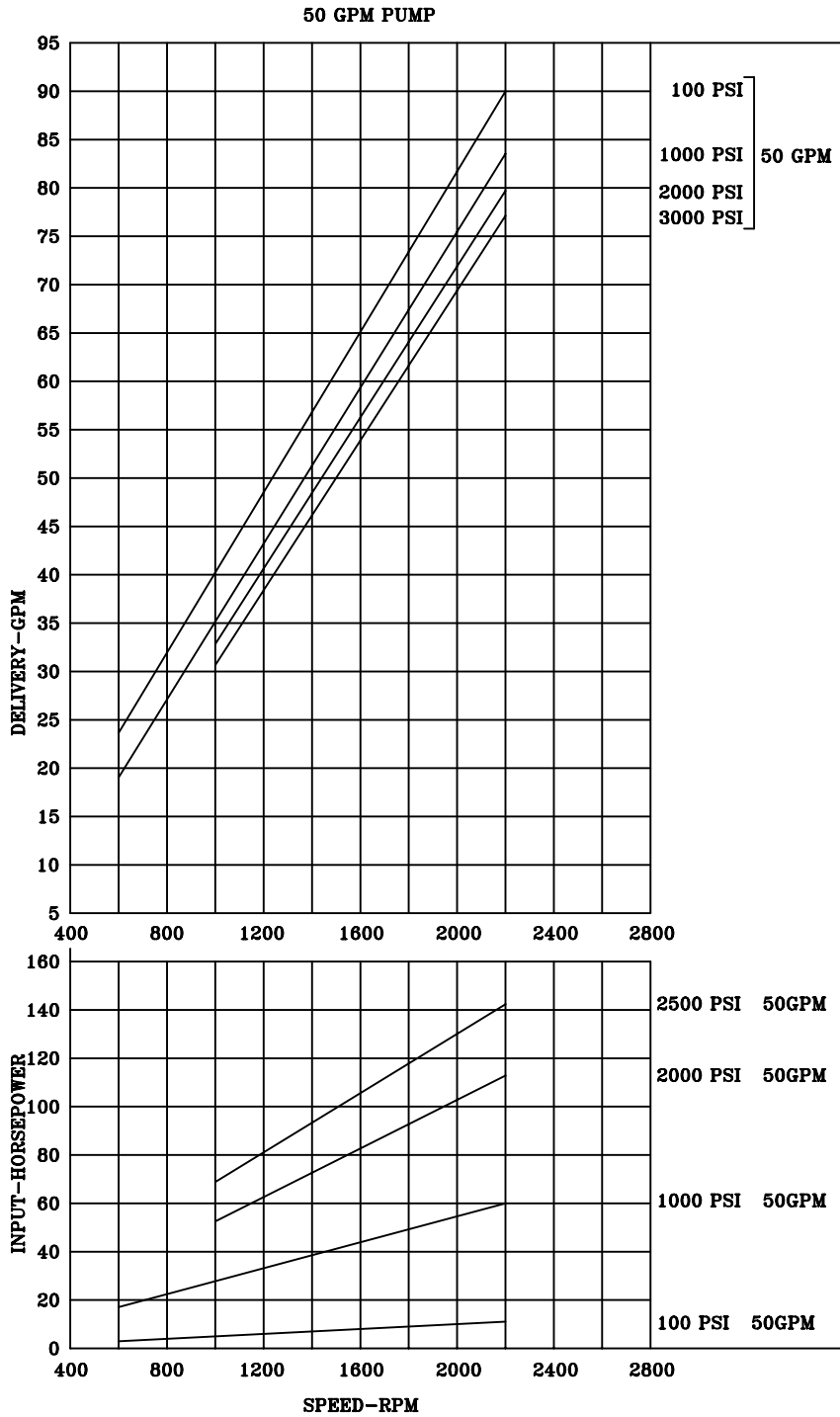
Performance Constants
 SAE 10W Fluid at 180°F.
 Pump Inlet at 0" Hg.



PERFORMANCE CURVES

Ring Size - 30 & 38 GPM
45 **VQDouble Pump - Shaft End

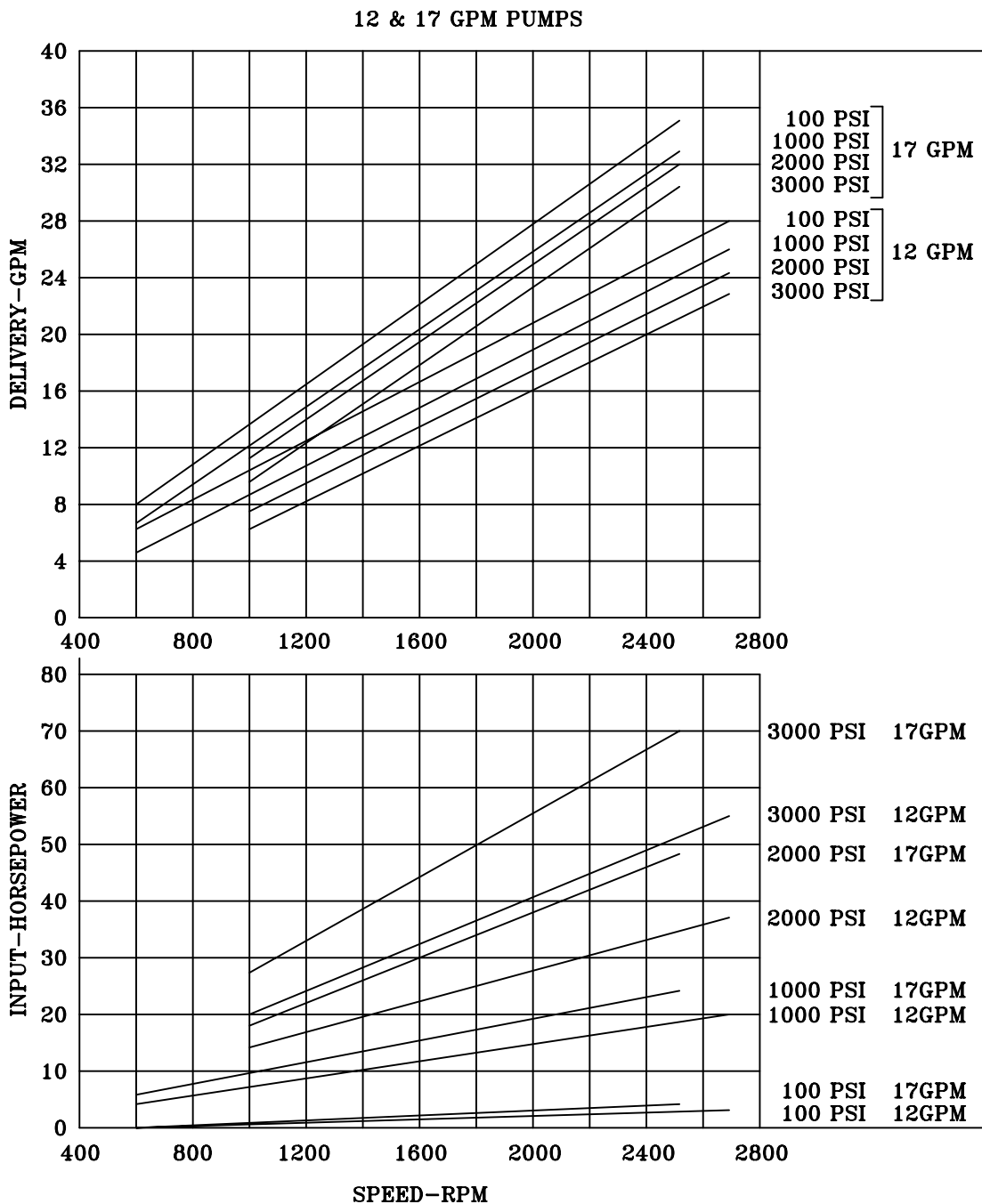
Performance Constants
SAE 10W Fluid at 180°F.
Pump Inlet at 0" Hg.



PERFORMANCE CURVES

Ring Size - 12 & 17 GPM
**** 25VQ Double Pump - Cover End**

Performance Constants
 SAE 10W Fluid at 180°F.
 Pump Inlet at 0" Hg.

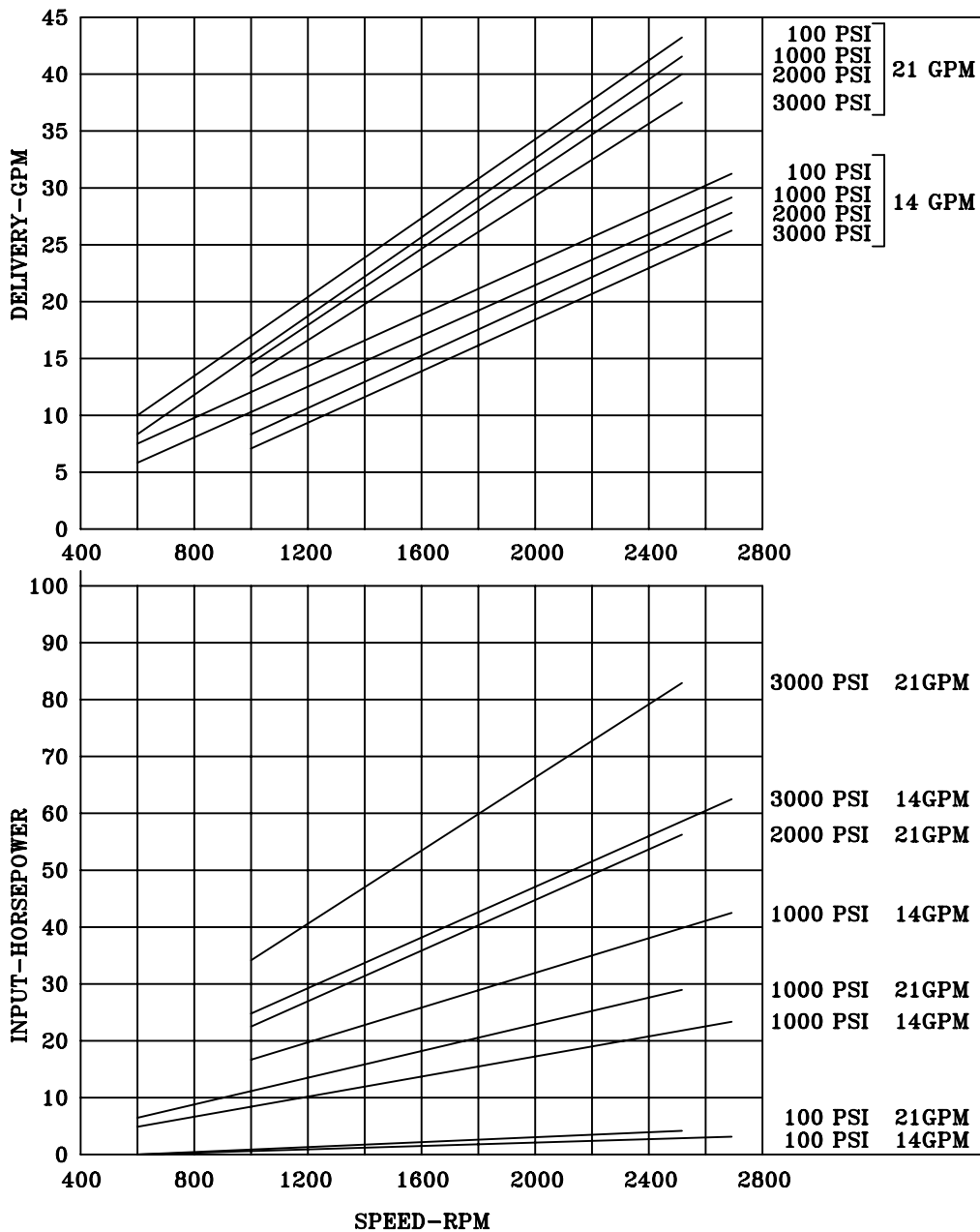


PERFORMANCE CURVES

Ring Size - 14 & 21 GPM
**** 25VQ Double Pump - Cover End**

Performance Constants
 SAE 10W Fluid at 180°F.
 Pump Inlet at 0" Hg.

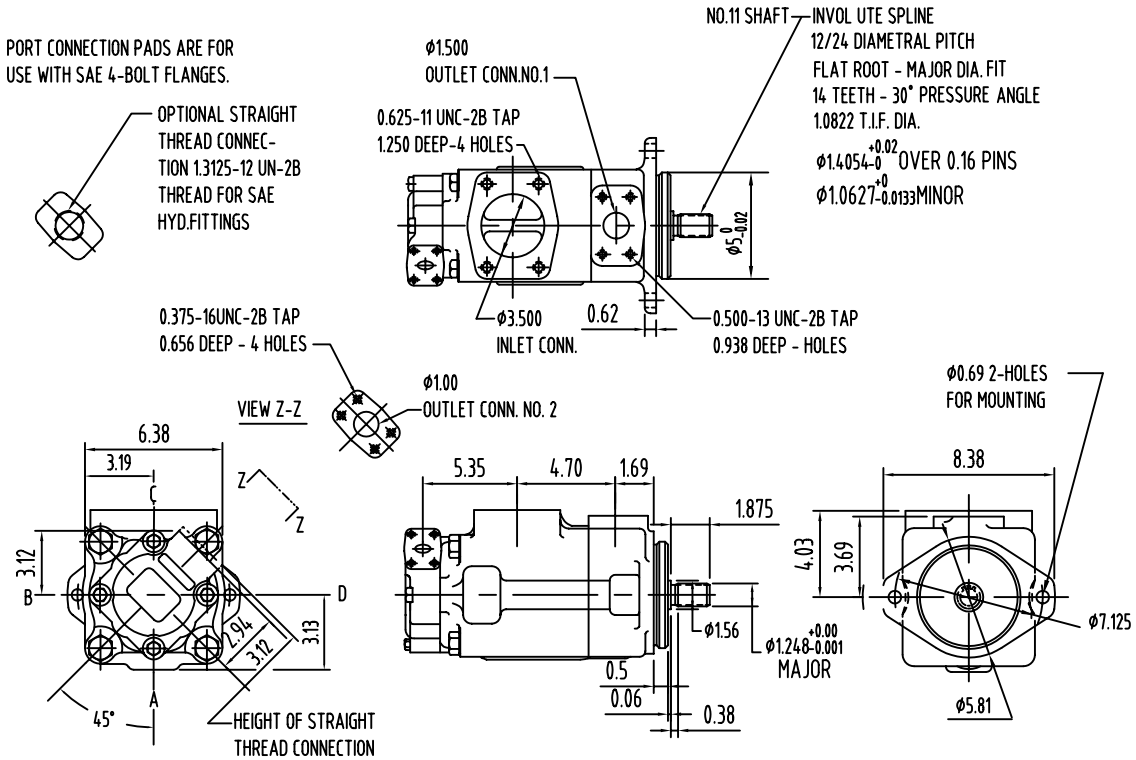
14 & 21 GPM PUMPS



INSTALLATION DIMENSIONS

4525 VQ Double Pump

Dimensions in inches

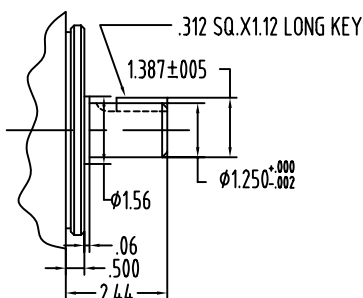


Code	Shaft Type
1	3/16 straight Key
11	14T 12/24 Spline Key
86	HD Straight Key

Code 1 3/16 Straight Key

Code 11 14T 12/24 Spline Key

Code 86 HD straight Key



Reference The Above Installation Dimensions

