

MODEL CODE

V Series Double Pump

(F3) - 2520 V 21 (A) 12 (F) - 11 AA 20 (L)

F3 - VITON SEALS

OMIT - STAND BUNA N

PUMP SERIES DESIGNATION

2520 3525 4525
3520 4520 4535

V SERIES VANE PUMP

(US)GPM CAPACITY-SHAFT END PUMP

(SAE RATING 1200 RPM-100PSI)

25xxV	35xxV	45xxV
12	25	42
14	30	50
17	35	60
21	38	

PORT CONNECTIONS

A -SAE 4-Bolt. (Inch Thread port connection)

M -SAE 4-Bolt. (Metric port connection)

(US)GPM CAPACITY-COVER END PUMP

(SAE RATING 1200 RPM-100 PSI),US gpm

xx20V	xx25V	xx35V
5	12	25
8	14	30
11	17	35
12	21	38

Mounting

OMIT - Flange Mounting

F - Foot Mounting

ROTATION

(VIEWED FROM SHAFT END)

L - LEFT HAND.

OMIT - FOR RIGHT HAND.

DESIGN NUMBER

OUTLET POSITIONS

(VIEWED FROM COVER END OF PUMP)
ALL SERIES EXCEPT 2525V & 4535V

WITH NO.1 OUTLET OPPOSITE INLET

AA-NO.2 OUTLET 135° CCW FROM INLET

AB-NO.2 OUTLET 45° CCW FROM INLET

AC-NO.2 OUTLET 45° CW FROM INLET

AD-NO.2 OUTLET 135° CW FROM INLET

WITH NO.1 OUTLET 90° CCW FROM INLET

BA-NO.2 OUTLET 135° CCW FROM INLET

BB-NO.2 OUTLET 45° CCW FROM INLET

BC-NO.2 OUTLET 45° CW FROM INLET

BD-NO.2 OUTLET 135° CW FROM INLET

WITH NO.1 OUTLET INLINE WITH INLET

CA-NO.2 OUTLET 135° CCW FROM INLET

CB-NO.2 OUTLET 45° CCW FROM INLET

CC-NO.2 OUTLET 45° CW FROM INLET

CD-NO.2 OUTLET 135° CW FROM INLET

WITH NO.1 OUTLET 90° CW FROM INLET

DA-NO.2 OUTLET 135° CCW FROM INLET

DB-NO.2 OUTLET 45° CCW FROM INLET

DC-NO.2 OUTLET 45° CW FROM INLET

DD-NO.2 OUTLET 135° CW FROM INLET

SERIES 2525V & 4535 V

WITH NO.1 OUTLET OPPOSITE INLET

AA-NO.2 OUTLET OPPOSITE INLET

AB-NO.2 OUTLET 90° CCW FROM INLET

AC-NO.2 OUTLET INLINE WITH INLET

AD-NO.2 OUTLET 90° CW FROM INLET

WITH NO.1 OUTLET 90° CCW FROM INLET

BA-NO.2 OUTLET OPPOSITE INLET

BB-NO.2 OUTLET 90° CCW FROM INLET

BC-NO.2 OUTLET INLINE WITH INLET

BD-NO.2 OUTLET 90° CW FROM INLET

WITH NO.1 OUTLET INLINE WITH INLET

CA-NO.2 OUTLET OPPOSITE INLET

CB-NO.2 OUTLET 90° CCW FROM INLET

CC-NO.2 OUTLET INLINE WITH INLET

CD-NO.2 OUTLET 90° CW FROM INLET

WITH NO.1 OUTLET 90° CW FROM INLET

DA-NO.2 OUTLET OPPOSITE INLET

DB-NO.2 OUTLET 90° CCW FROM INLET

DC-NO.2 OUTLET INLINE WITH INLET

DD-NO.2 OUTLET 90° CW FROM INLET

Shafts

1 -Straight key

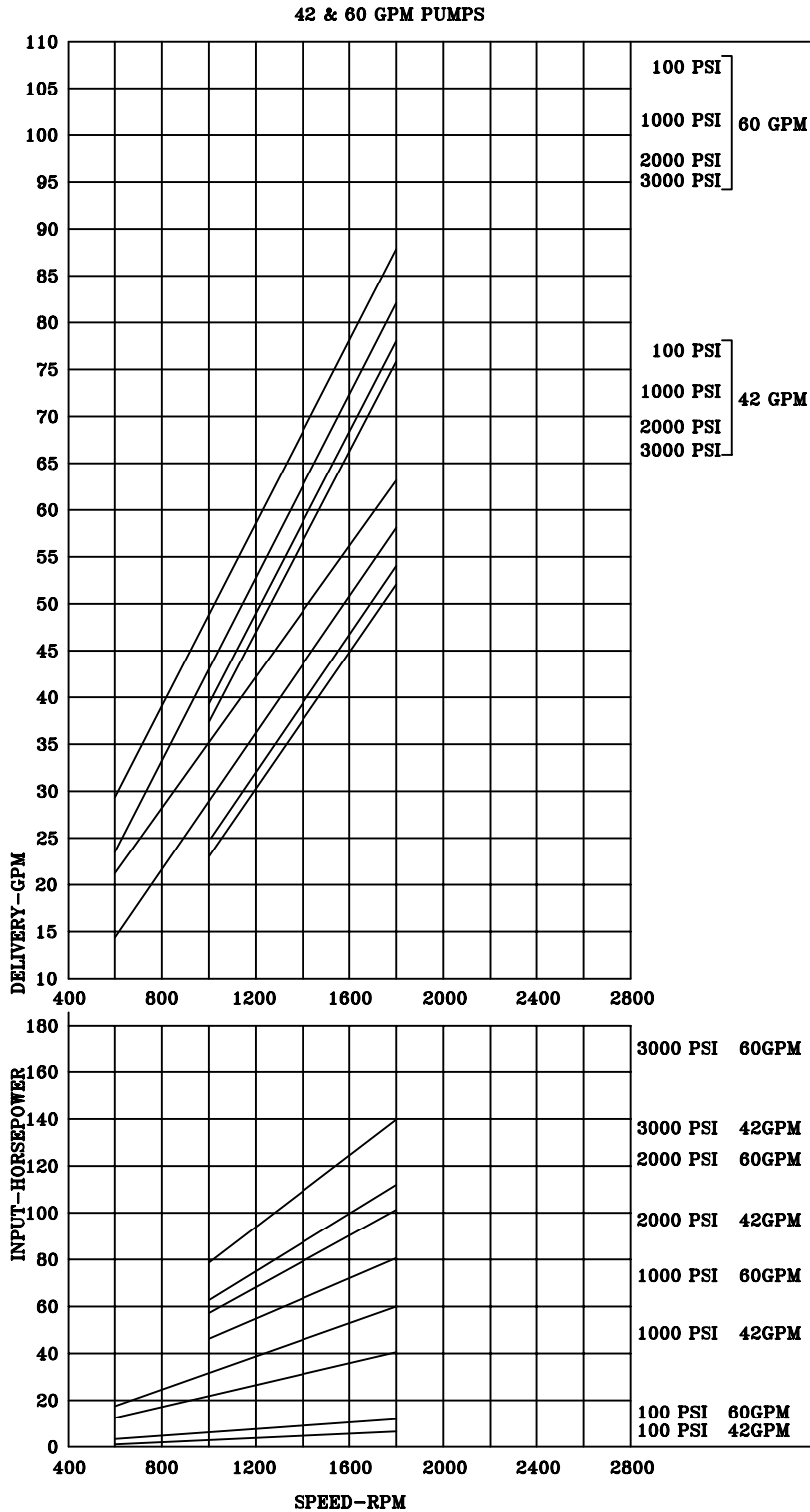
11- Spline Key

86-H.D. Straight key

PERFORMANCE CURVES

Ring Size - 42 & 60 GPM
 45V ** Double Pump - Shaft End

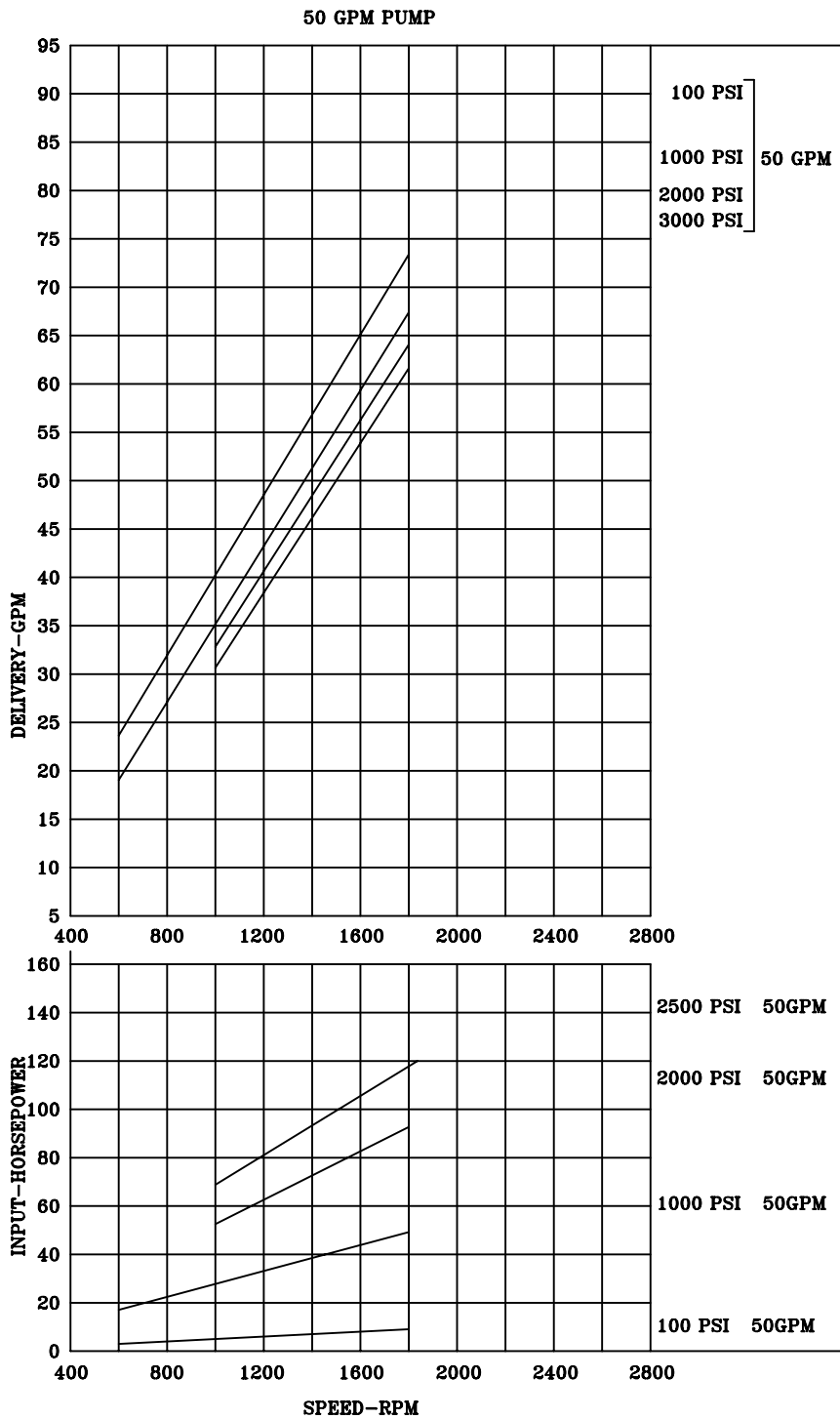
Performance Consistants
 SAE 10W Fluid at 180°F.
 Pump Inlet at 0" hg.



PERFORMANCE CURVES

Ring Size - 50 GPM
 45V **Double Pump - Shaft End

Performance Consistants
 SAE 10W Fluid at 180°F.
 Pump Inlet at 0" hg.

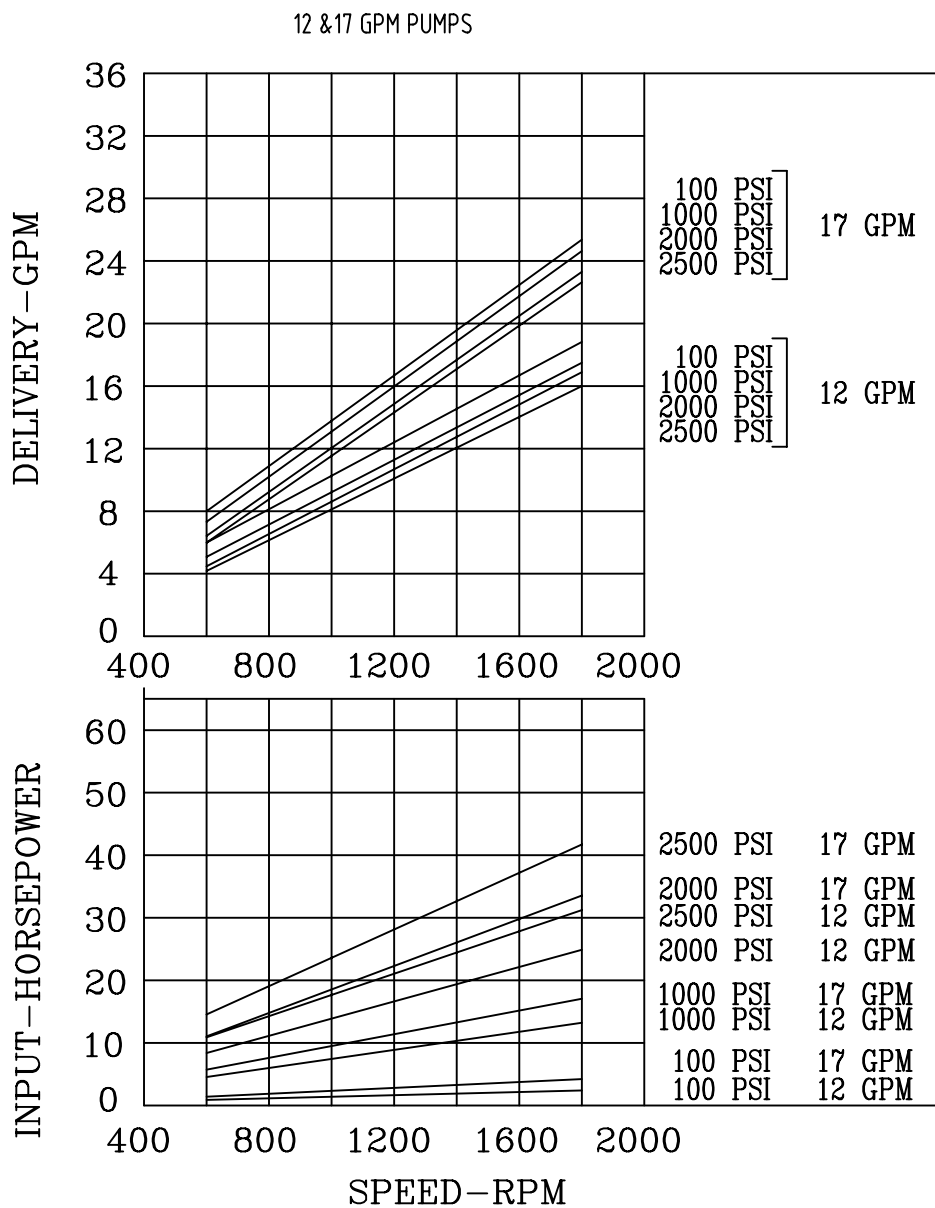


PERFORMANCE CURVES

Ring Size - 12 & 17 GPM

**** 25 VQ Double Pump - Cover End**

Performance Consistants
SAE 10W Fluid at 120°F.
Pump Inlet at 0" hg.

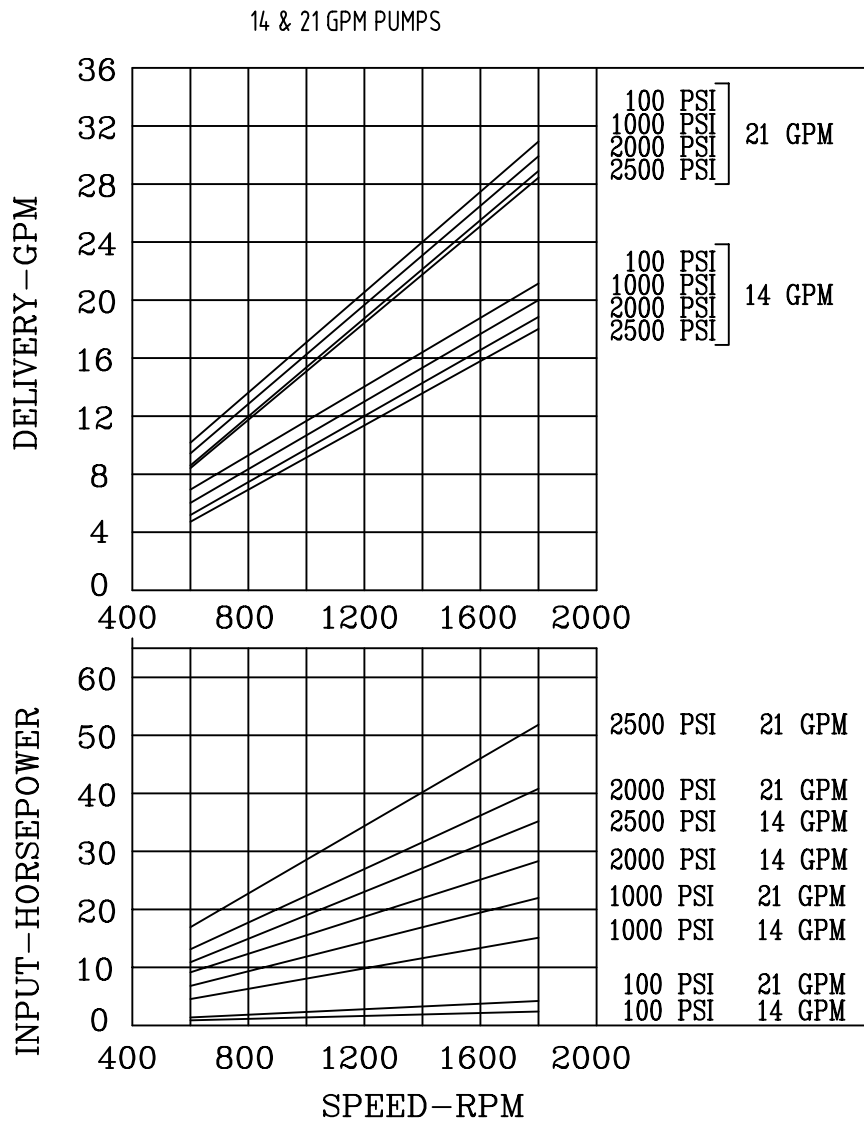


PERFORMANCE CURVES

Ring Size - 14 & 21 GPM

**** 25 VQ Double Pump - Cover End**

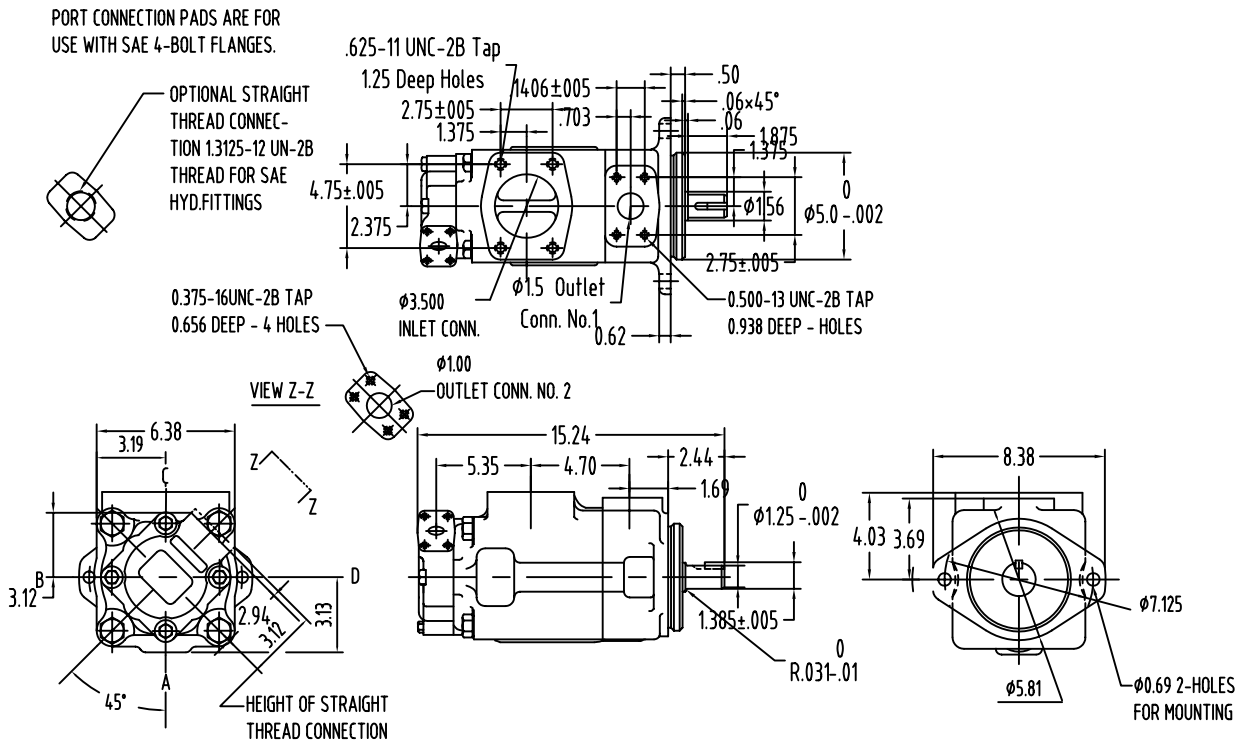
Performance Constants
 SAE 10W Fluid at 120°F.
 Pump Inlet at 0" hg.



INSTALLATION DIMENSIONS

4525V Double Pump

Dimensions in inches



Code	Shaft Type
1	3/16 straight Key
11	14T 12/24 Spline Key
86	HD Straight Key

Code1 3/16 Straight Key

Code11 14T 12/24 Spline Key

Code86 HD straight Key

Reference The above
Installation Dimintions

