

MODEL CODE

(F3) - 2520 V 21 A 12 (F) - 11AA 20 (L)

F3 - VITON SEALS

OMIT - STAND BUNA N

PUMP SERIES DESIGNATION

2520 3525 4525
3520 4520 4535

V SERIES VANE PUMP

(US)GPM CAPACITY-SHAFT END PUMP

(SAE RATING 1200 RPM-100PSI)

25xxV	35xxV	45xxV
12	25	42
14	30	50
17	35	60
21	38	

PORT CONNECTIONS

A-SAE 4-Bolt

(US)GPM CAPACITY-COVER END PUMP

(SAE RATING 1200 RPM-100 PSI), US gpm

xx20V	xx25V	xx35V
5	12	25
8	14	30
11	17	35
12	21	38

Mounting

OMIT - Flange Mounting

F - Foot Mounting

ROTATION

(VIEWED FROM SHAFT END)
L - LEFT HAND.
OMIT - FOR RIGHT HAND.

DESIGN NUMBER

OUTLET POSITIONS

(VIEWED FROM COVER END OF PUMP)
ALL SERIES EXCEPT 2525V & 4535V

WITH NO.10 OUTLET OPPOSITE INLET

AA-NO.2 OUTLET 135° CCW FROM INLET
AB-NO.2 OUTLET 45° CCW FROM INLET
AC-NO.2 OUTLET 45° CW FROM INLET
AD-NO.2 OUTLET 135° CW FROM INLET

WITH NO.1 OUTLET 90° CCW FROM INLET

BA-NO.2 OUTLET 135° CCW FROM INLET
BB-NO.2 OUTLET 45° CCW FROM INLET
BC-NO.2 OUTLET 45° CW FROM INLET
BD-NO.2 OUTLET 135° CW FROM INLET

WITH NO.1 OUTLET INLINE WITH INLET

CA-NO.2 OUTLET 135° CCW FROM INLET
CB-NO.2 OUTLET 45° CCW FROM INLET
CC-NO.2 OUTLET 45° CW FROM INLET
CD-NO.2 OUTLET 135° CW FROM INLET

WITH NO.1 OUTLET 90° CCW FROM INLET

DA-NO.2 OUTLET 135° CCW FROM INLET
DB-NO.2 OUTLET 45° CCW FROM INLET
DC-NO.2 OUTLET 45° CW FROM INLET
DD-NO.2 OUTLET 135° CW FROM INLET

SERIES 2525V & 4535 V

WITH NO.10 OUTLET OPPOSITE INLET

AA-NO.2 OUTLET OPPOSITE INLET
AB-NO.2 OUTLET 90° CCW FROM INLET
AC-NO.2 OUTLET INLINE WITH INLET
AD-NO.2 OUTLET 90° CW FROM INLET

WITH NO.1 OUTLET 90° CCW FROM INLET

BA-NO.2 OUTLET OPPOSITE INLET
BB-NO.2 OUTLET 90° CCW FROM INLET
BC-NO.2 OUTLET INLINE WITH INLET
BD-NO.2 OUTLET 90° CW FROM INLET

WITH NO.1 OUTLET INLINE WITH INLET

CA-NO.2 OUTLET OPPOSITE INLET
CB-NO.2 OUTLET 90° CCW FROM INLET
CC-NO.2 OUTLET INLINE WITH INLET
CD-NO.2 OUTLET 90° CW FROM INLET

WITH NO.1 OUTLET 90° CCW FROM INLET

DA-NO.2 OUTLET OPPOSITE INLET
DB-NO.2 OUTLET 90° CCW FROM INLET
DC-NO.2 OUTLET INLINE WITH INLET
DD-NO.2 OUTLET 90° CW FROM INLET

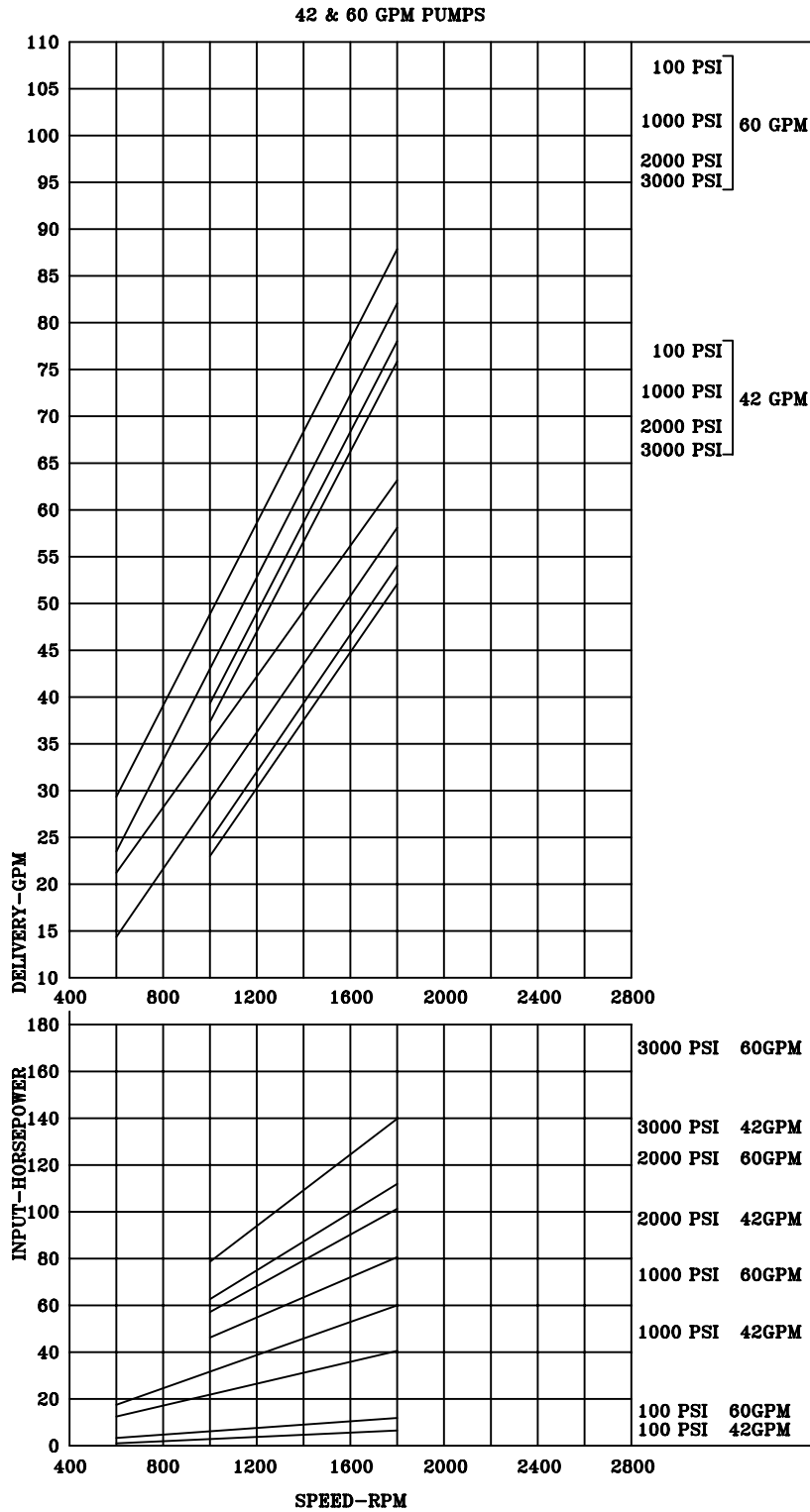
Shafts

1 -Straight key
11- Spline Key
86-H.D. Straight key

PERFORMANCE CURVES

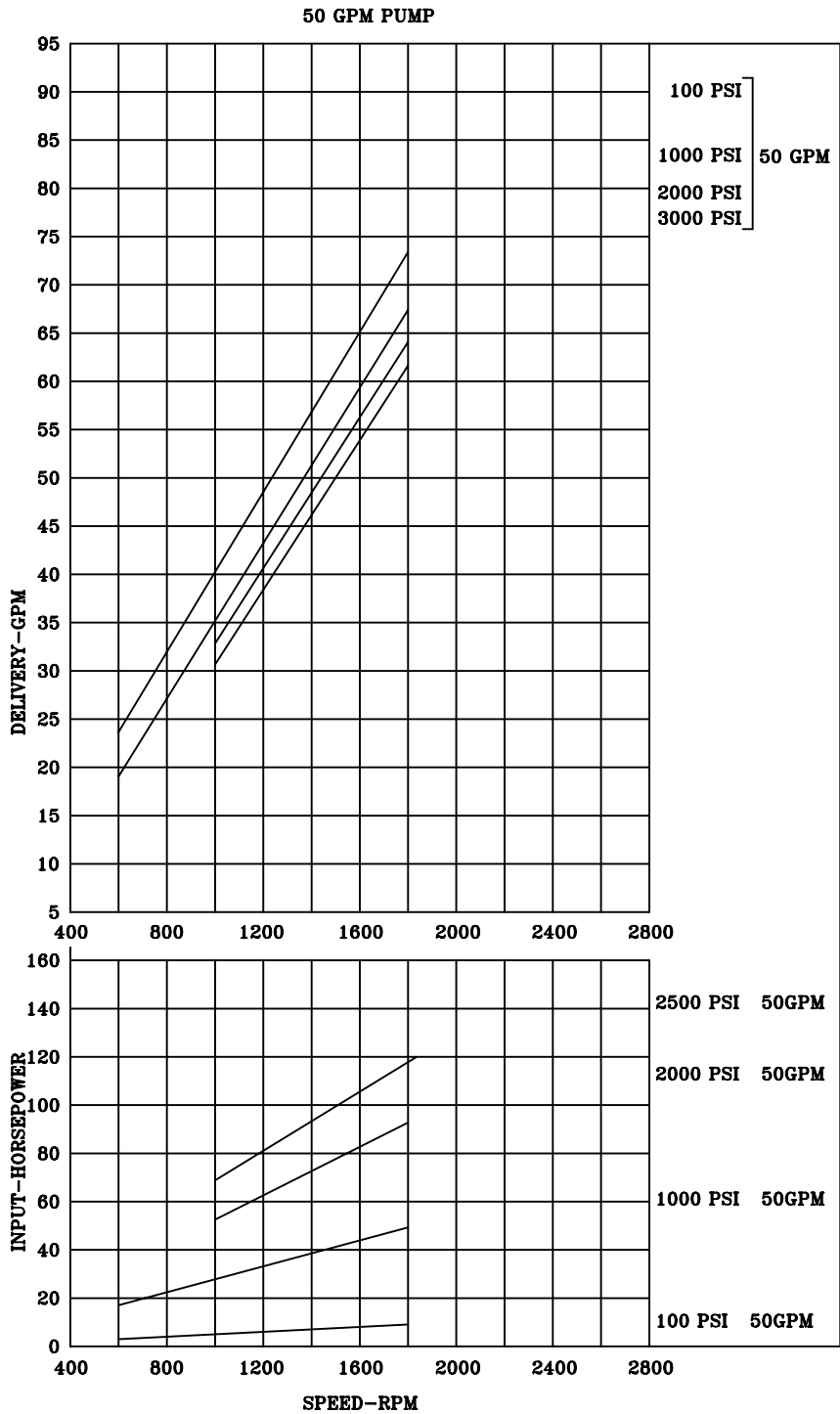
Ring Size - 42 & 60 GPM
 45V ** Double Pump - Shaft End

Performance Constants
 SAE 10W Fluid at 180°F.
 Pump Inlet at 0" hg.



PERFORMANCE CURVES

Ring Size - 50 GPM
 45V **Double Pump - Shaft End
 Performance Consistants
 SAE 10W Fluid at 180°F.
 Pump Inlet at 0" hg.



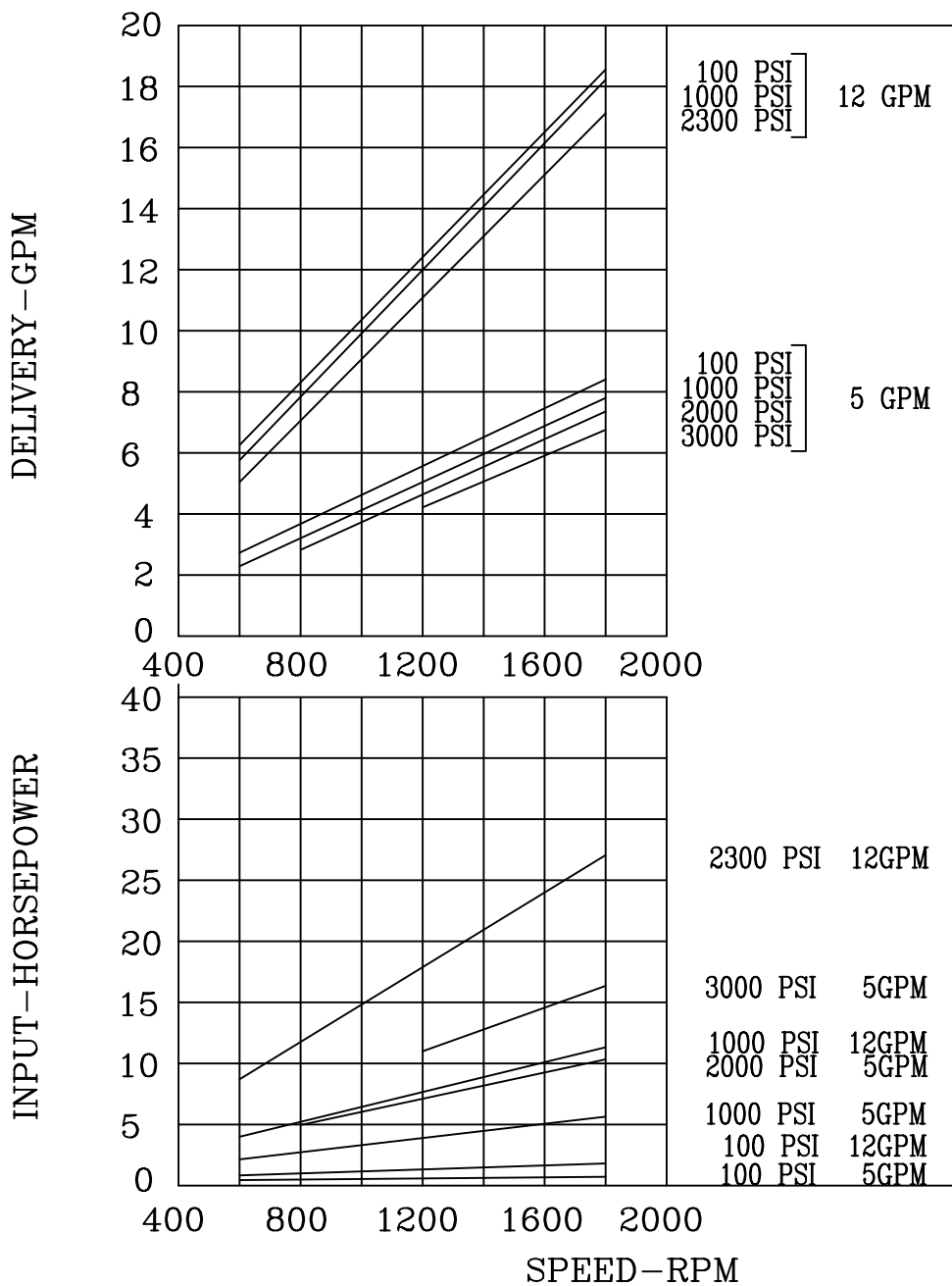
PERFORMANCE CURVES

Ring Size - 5 & 12 GPM

**** 20V Double Pump - Cover End**

Performance Consistants
 SAE 10W Fluid at 120°F.
 Pump Inlet at 0" Hg.

5 & 12 GPM PUMPS



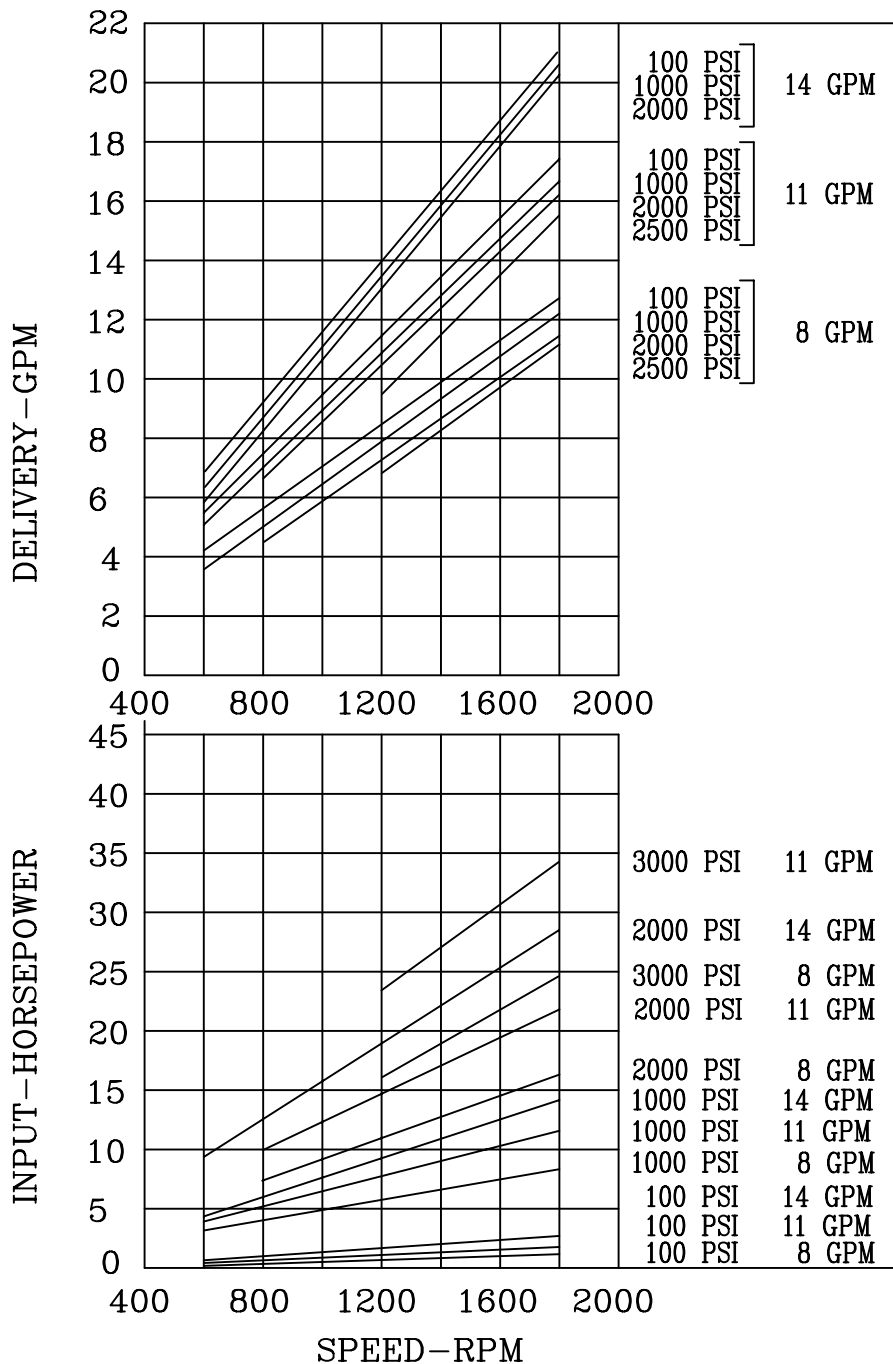
PERFORMANCE CURVES

Ring Size - 8,11 & 14 GPM

**** 20V Double Pump - Cover End**

Performance Constants
SAE 10W Fluid at 120°F.
Pump Inlet at 0" Hg.

8,11 & 14 GPM PUMPS



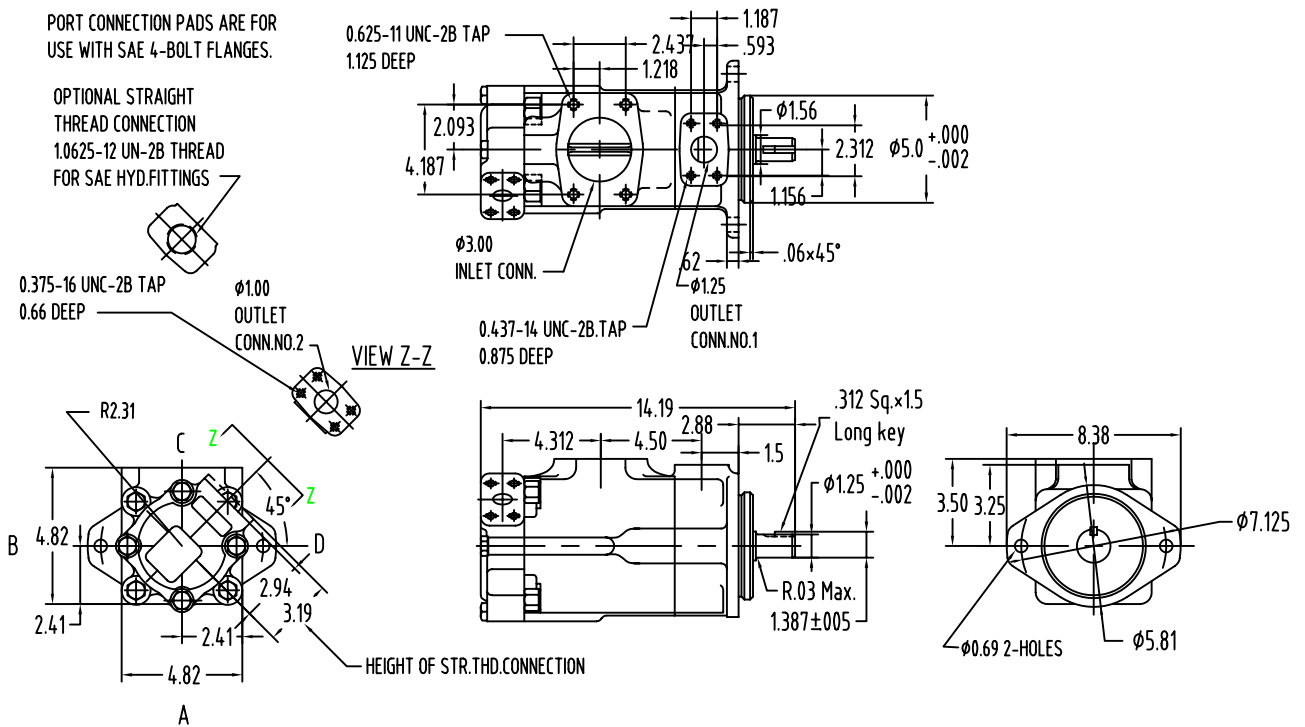
INSTALLATION DIMENSIONS

4520V Double Pump

Dimensions in inches

PORT CONNECTION PADS ARE FOR USE WITH SAE 4-BOLT FLANGES.

OPTIONAL STRAIGHT THREAD CONNECTION
1.0625-12 UN-2B THREAD
FOR SAE HYD.FITTINGS



Code	Shaft Type
1	3/16 straight key
11	14T 12/24 Spline Key
86	HD Straight Key

NO.11 SHAFT
INVOLUTE SPLINE
12/24 DIAMETRAL PITCH
FLAT ROOT MAJOR DIA.FIT
14 TEETH-30°PRESSURE ANGLE

Code1 3/16 Straight Key

Code11 14T 12/24 Spline Key

Code86 HD straight Key

Reference The above
Installation Diminations

