

MODEL CODE

(F3) 25 VQ 21 A(S) 11C 20 (L)

F3 - VITON SEALS
OMIT - STANDARD BUNA N

SERIES DESIGNATION
20VQ }
25VQ } STANDARD
35VQ } BEARING
45VQ }

FLEX PLATE VANE TYPE PUMP

SAE RATED CAPACITY - GPM
(1200 rpm - 100 psi)
20VQ - 5, 8, 11, 12 & 14
25VQ - 12, 14, 17 & 21
35VQ - 25, 30, 35 & 38
45VQ - 42, 50 & 60

PORT CONNECTIONS

SERIES	CODE	INLET	OUTLET
ALL	A	SAE 4 - BOLT	SAE 4 - BOLT
ALL	AM	4 - BOLT	4 - BOLT
25VQ	B	SAE STR. THD.	SAE STR. THD.
25VQ	C	SAE 4 - BOLT	SAE STR. THD.
25VQ	D	SAE STR. THD.	SAE 4 - BOLT

MOUNTING & SHAFT SEAL ASSEMBLY

S - FLANGE MOUNT & DOUBLE SHAFT SEAL
OMIT - FOR FLANGE MOUNT & SINGLE SHAFT SEAL

SHAFT ROTATION
(VIEWED FROM SHAFT END)
L - LEFT HAND
OMIT - RIGHT HAND

DESIGN NUMBER

INLET POSITION VIEWED FROM COVER END

A - OPPOSITE OUTLET
B - 90° CLOCKWISE FROM OUTLET
C - INLINE WITH OUTLET
D - 90° COUNTERCLOCKWISE FROM OUTLET

SHAFTS

SINGLE SHAFT SEAL PUMPS

1 - STRAIGHT KEY
11 - SPLINED
86 - H.D. Straight KEY (45VQ)

DOUBLE SHAFT SEAL PUMPS

123 - SPLINED (SAME AS NO.11)
NOT AVAILABLE ON 45VQ
130 - SPLINED (SAME AS NO.11)
45VQ ONLY

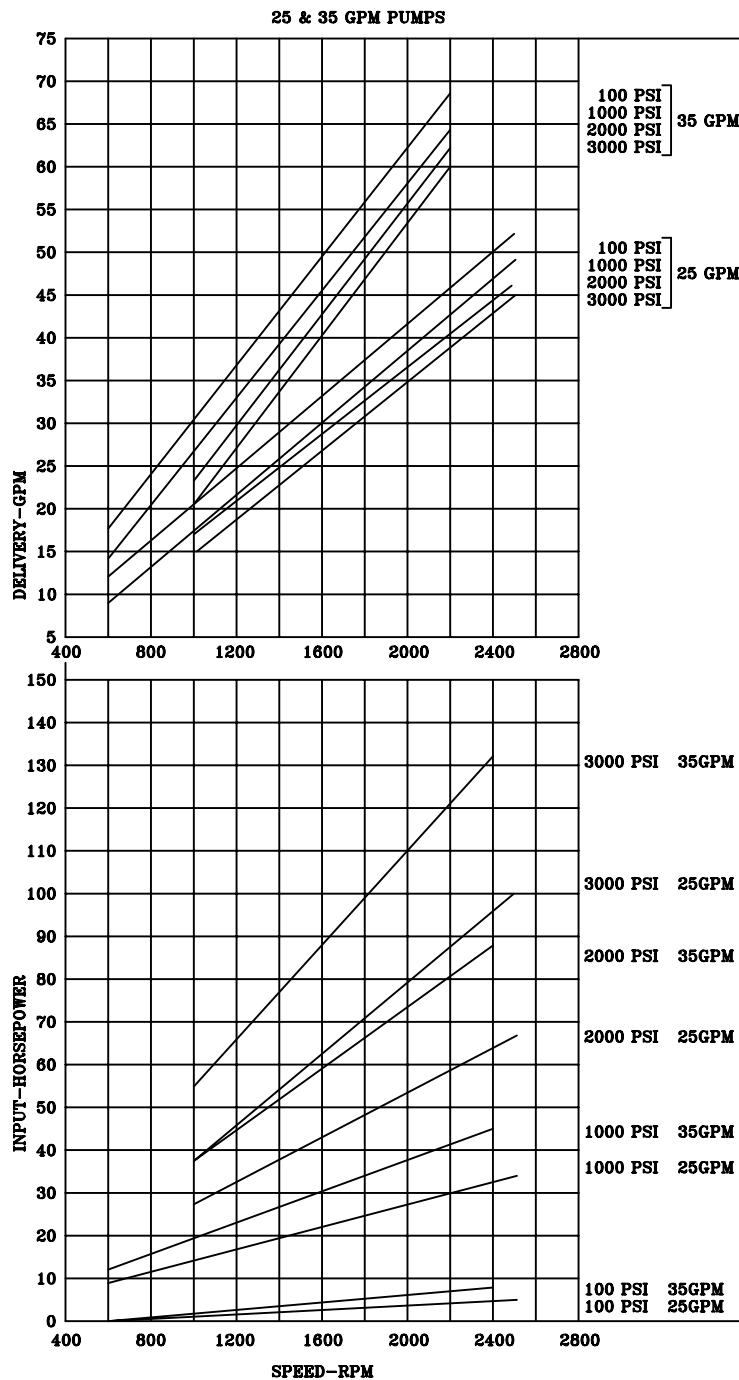
PERFORMANCE CURVES

35VQ Single Pump(Ring Size 25 & 35 GPM)

Performance Consistants

SAE 10W Fluid at 180°F.

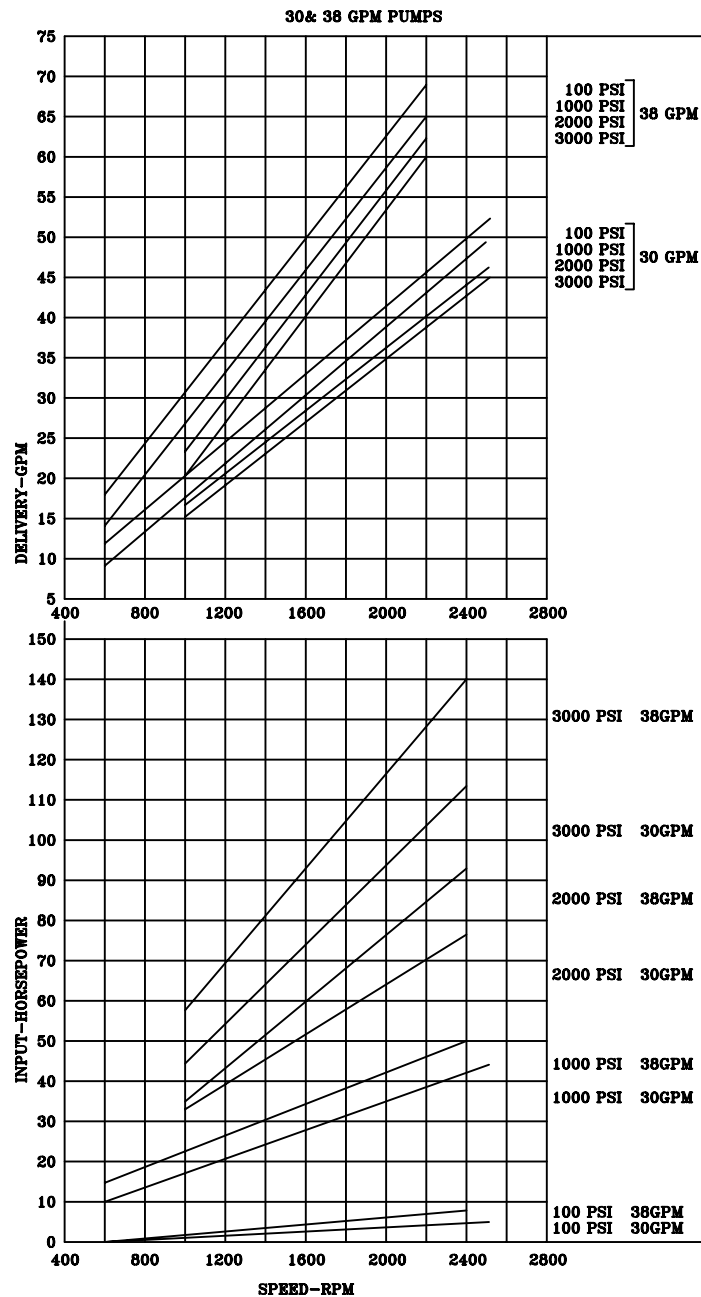
Pump Inlet at 0" Hg.



PERFORMANCE CURVES

35VQ Single Pump(Ring Size 30 & 38 GPM)

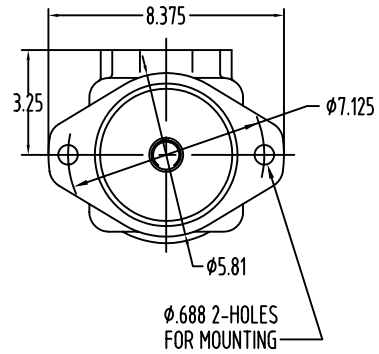
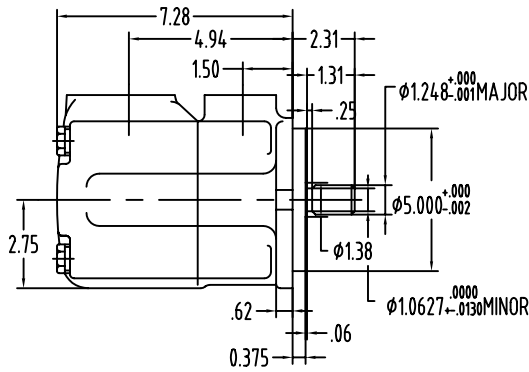
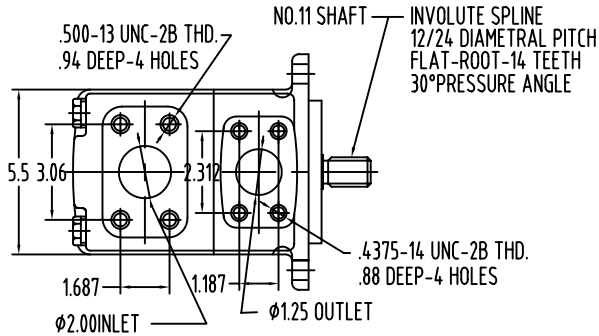
Performance Constants
 SAE 10W Fluid at 180°F.
 Pump Inlet at 0" Hg.



INSTALLATION DIMENSIONS

35VQ Single Pump

Dimensions in inches

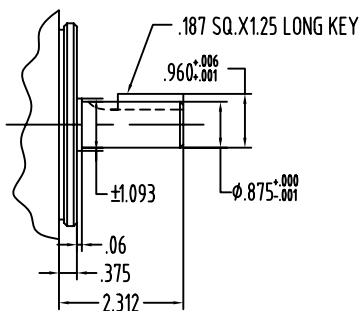


Code	Shaft Type
1	3/16 Straight Key
11	14T 12/24 Spline
86	HD Straight Key Shaft

Code1 3/16 Straight Key

Code11 14T 12/24 Spline Key

Code86 HD straight Key



Reference The Above
Installation Dimensions

