

HOW TO ORDER

(F3) 25 V 21 A (F) 11 C 20 (L)

F3 - VITON SEALS

OMIT - STAND BUNA N

SERIES DESIGNATION

20V

25V STANDARD

35V BEARING

45V

V Series Vane Pump

Geometric Displacement

AT 1200 RPM,100 PSI

20V

5 GPM (1.10 in³/r)

8 GPM (1.67 in³/r)

9 GPM (1.85 in³/r)

11 GPM (2.22 in³/r)

12 GPM (2.47 in³/r)

14 GPM (2.78 in³/r)

35V

25 GPM (4.94 in³/r)

30 GPM (5.91 in³/r)

35 GPM (6.83 in³/r)

38 GPM (7.37 in³/r)

25V

12 GPM (2.47 in³/r)

14 GPM (2.78 in³/r)

17 GPM (3.39 in³/r)

21 GPM (4.13 in³/r)

45V

42 GPM (8.41 in³/r)

50 GPM (8.95 in³/r)

45 GPM (9.85 in³/r)

60 GPM (11.75 in³/r)

Port connections

A -SAE 4-Bolt. (Inch Thread port connection)

Rotation(viewed from shaft end)

L-Left hand rotation.

Omit - for right hand rotation.

Design Number

Outlet Position

(viewed from cover end)

A-Outlet opposite inlet.

B-Outlet 90° counterclock-wise from inlet.

C-Outlet in line with inlet.

D-Outlet 90° clockwise from inlet.

Shafts

1 -Straight key

11- Spline Key

86-H.D. Straight key

Mounting

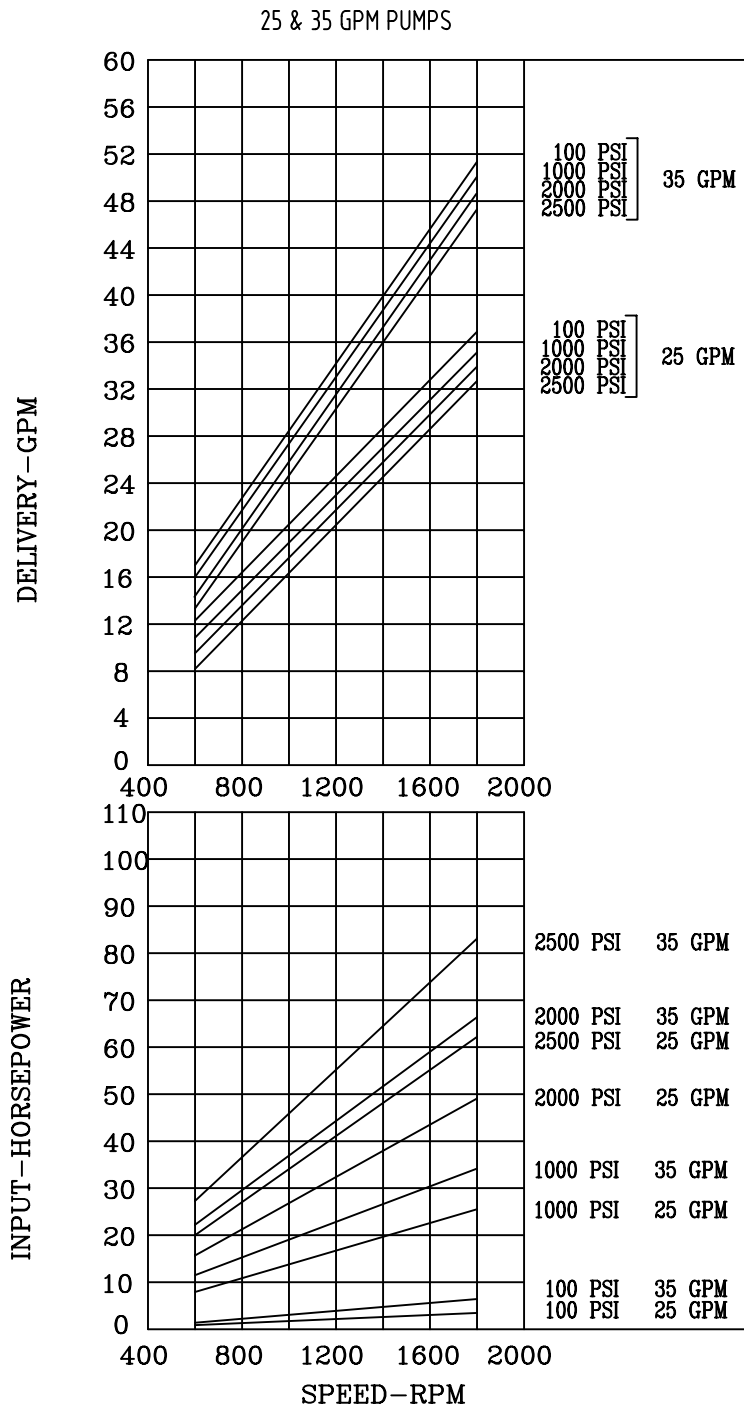
OMIT - Flange mounting

F - Foot mounting

PERFORMANCE CURVES

35V Single Pump(Ring Size 25 & 35 GPM)

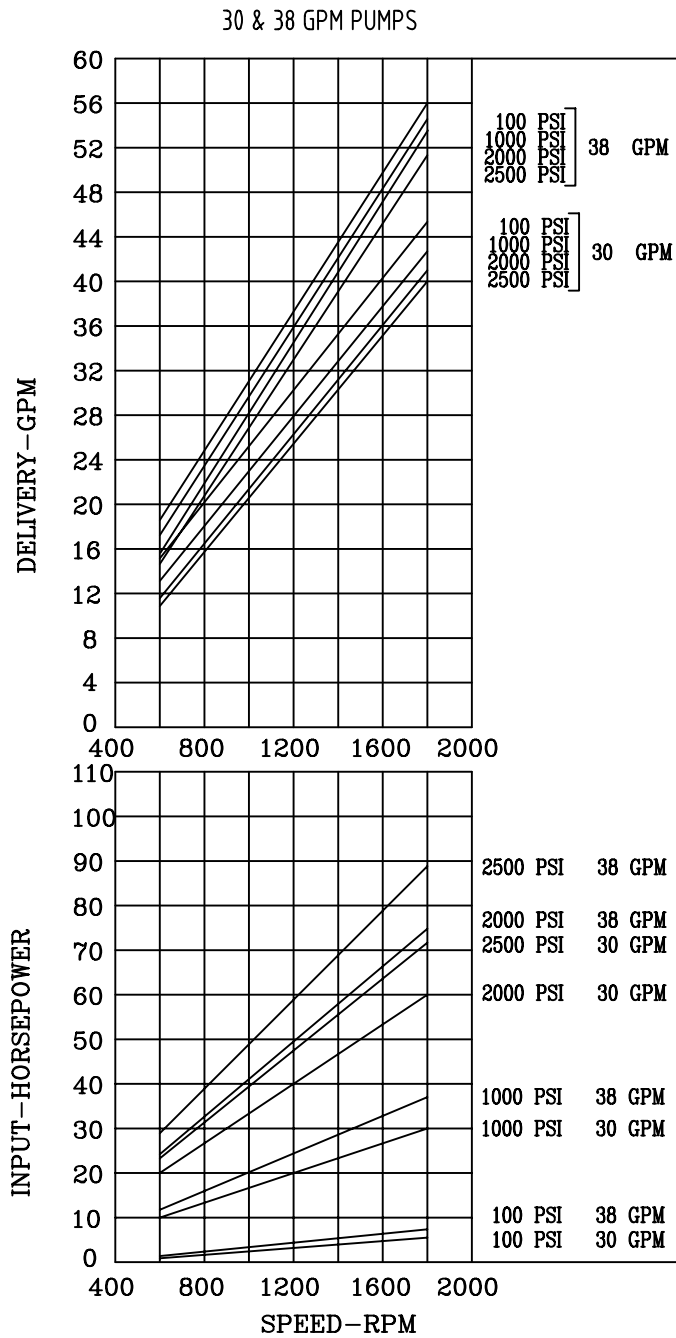
Performance Consistants
SAE 10W Fluid at 120°F.
Pump Inlet at 0" Hg.



PERFORMANCE CURVES

35V Single Pump(Ring Size 30 & 38 GPM)

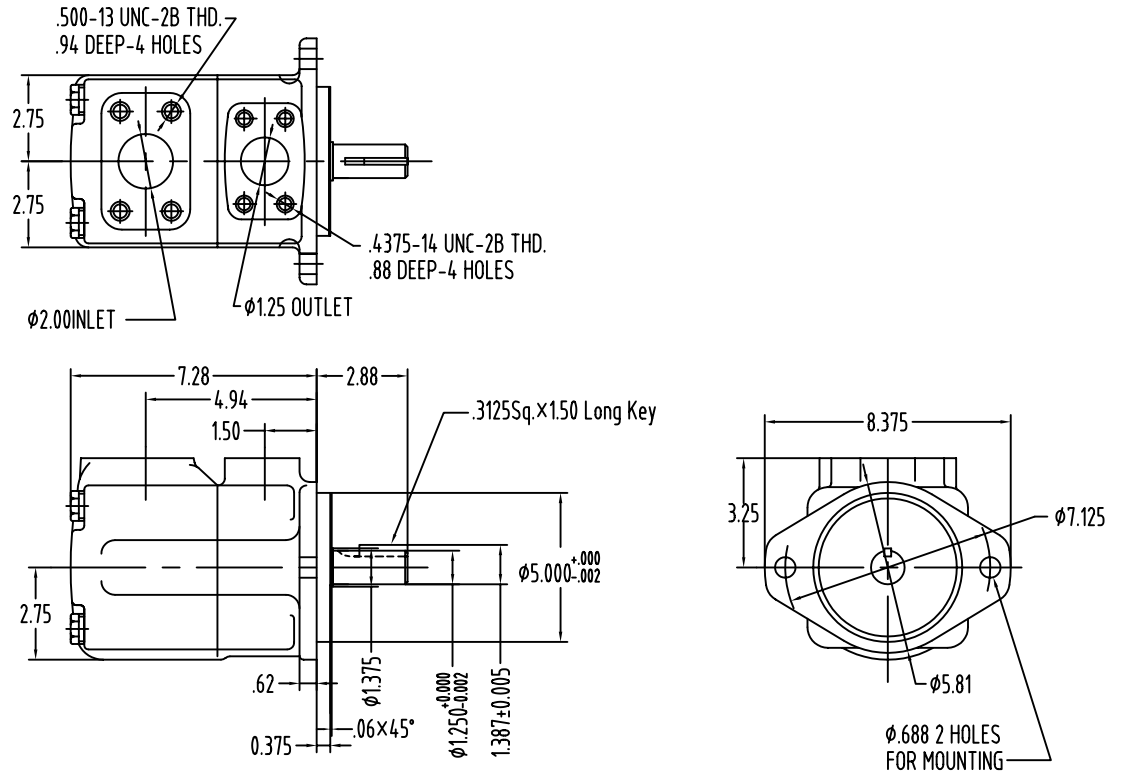
Performance Consitants
SAE 10W Fluid at 120°F.
Pump Inlet at 0" Hg.



INSTALLATION DIMENSIONS

35V Single Pump

Dimensions in inches



Code	Shaft Type
1	3/16 Straight Key
11	14T 12/24 Spline
86	HD Straight Key Shaft

Involute Spilne
 12/24 Diametral Pitch
 Flat Root-Major Dia. Fit
 14 Teeth-30° Pressure Angele
 1.0822 t.I.F. Dia.
 1.1667 Pitch Dia.
 1.4054 $^{+.002}_0$ Over .160 Dia. pins

Code1 3/16 Straight Key

Code11 14T 12/24 Spline Key

Code86 HD straight Key

