

**MODEL CODE**

**V Series Double Pump**

**(F3) - 2520 V 21 (A) 12 (F) - 11 AA 20 (L)**

F3 - VITON SEALS

OMIT - STAND BUNA N

**PUMP SERIES DESIGNATION**

2520 3525 4525  
3520 4520 4535

V SERIES VANE PUMP

**(US)GPM CAPACITY-SHAFT END PUMP**

(SAE RATING 1200 RPM-100PSI)

25xV	35xV	45xV
12	25	42
14	30	50
17	35	60
21	38	

**PORT CONNECTIONS**

A -SAE 4-Bolt. (Inch Thread port connection)

M -SAE 4-Bolt. (Metric port connection)

**(US)GPM CAPACITY-COVER END PUMP**

(SAE RATING 1200 RPM-100 PSI),US gpm

xx20V	xx25V	xx35V
5	12	25
8	14	30
11	17	35
12	21	38

**Mounting**

OMIT - Flange Mounting

F - Foot Mounting

**ROTATION**

(VIEWED FROM SHAFT END)

L - LEFT HAND.

OMIT - FOR RIGHT HAND.

**DESIGN NUMBER**

**OUTLET POSITIONS**

(VIEWED FROM COVER END OF PUMP)  
ALL SERIES EXCEPT 2525V & 4535V

**WITH NO.1 OUTLET OPPOSITE INLET**

AA-NO.2 OUTLET 135° CCW FROM INLET

AB-NO.2 OUTLET 45° CCW FROM INLET

AC-NO.2 OUTLET 45° CW FROM INLET

AD-NO.2 OUTLET 135° CW FROM INLET

**WITH NO.1 OUTLET 90° CCW FROM INLET**

BA-NO.2 OUTLET 135° CCW FROM INLET

BB-NO.2 OUTLET 45° CCW FROM INLET

BC-NO.2 OUTLET 45° CW FROM INLET

BD-NO.2 OUTLET 135° CW FROM INLET

**WITH NO.1 OUTLET INLINE WITH INLET**

CA-NO.2 OUTLET 135° CCW FROM INLET

CB-NO.2 OUTLET 45° CCW FROM INLET

CC-NO.2 OUTLET 45° CW FROM INLET

CD-NO.2 OUTLET 135° CW FROM INLET

**WITH NO.1 OUTLET 90° CW FROM INLET**

DA-NO.2 OUTLET 135° CCW FROM INLET

DB-NO.2 OUTLET 45° CCW FROM INLET

DC-NO.2 OUTLET 45° CW FROM INLET

DD-NO.2 OUTLET 135° CW FROM INLET

SERIES 2525V & 4535 V

**WITH NO.1 OUTLET OPPOSITE INLET**

AA-NO.2 OUTLET OPPOSITE INLET

AB-NO.2 OUTLET 90° CCW FROM INLET

AC-NO.2 OUTLET INLINE WITH INLET

AD-NO.2 OUTLET 90° CW FROM INLET

**WITH NO.1 OUTLET 90° CCW FROM INLET**

BA-NO.2 OUTLET OPPOSITE INLET

BB-NO.2 OUTLET 90° CCW FROM INLET

BC-NO.2 OUTLET INLINE WITH INLET

BD-NO.2 OUTLET 90° CW FROM INLET

**WITH NO.1 OUTLET INLINE WITH INLET**

CA-NO.2 OUTLET OPPOSITE INLET

CB-NO.2 OUTLET 90° CCW FROM INLET

CC-NO.2 OUTLET INLINE WITH INLET

CD-NO.2 OUTLET 90° CW FROM INLET

**WITH NO.1 OUTLET 90° CW FROM INLET**

DA-NO.2 OUTLET OPPOSITE INLET

**DB-NO.2 OUTLET** 90° CCW FROM INLET

DC-NO.2 OUTLET INLINE WITH INLET

DD-NO.2 OUTLET 90° CW FROM INLET

**Shafts**

1 -Straight key

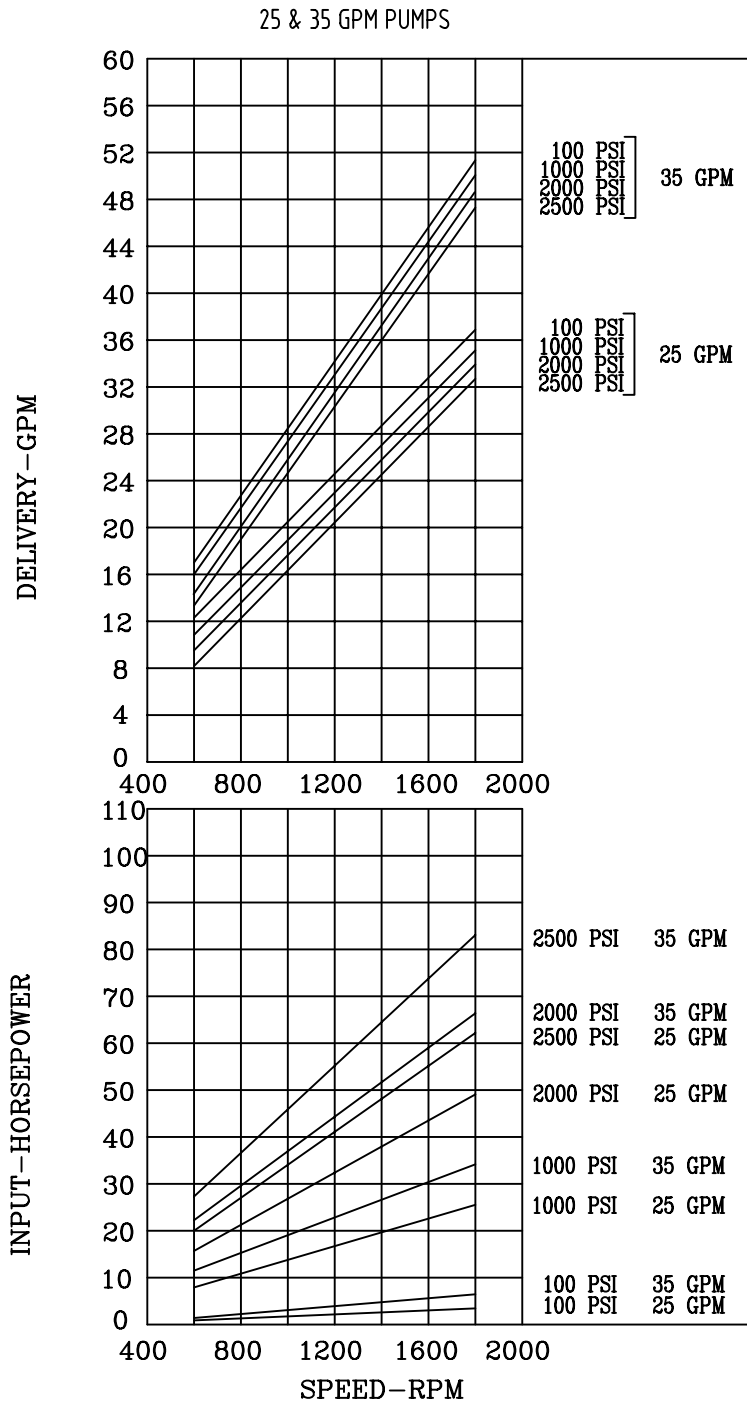
11- Spline Key

86-H.D. Straight key

**PERFORMANCE CURVES**

Ring Size 25 & 35 GPM  
25 \*\*V Double Pump - Shaft End

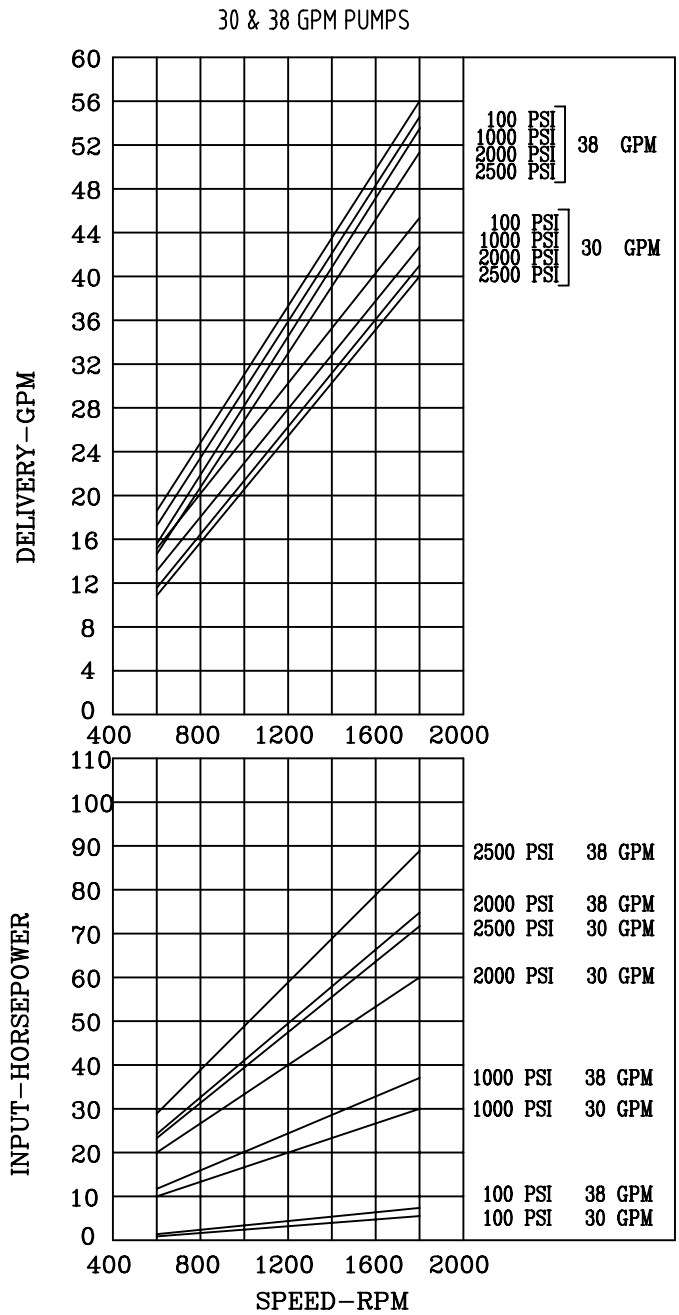
Performance Constants  
SAE 10W Fluid at 120°F.  
Pump Inlet at 0" hg.



**PERFORMANCE CURVES**

Ring Size 30 & 38 GPM  
25 \*\*V Double Pump - Shaft End

Performance Consistants  
SAE 10W Fluid at 120°F.  
Pump Inlet at 0" hg.



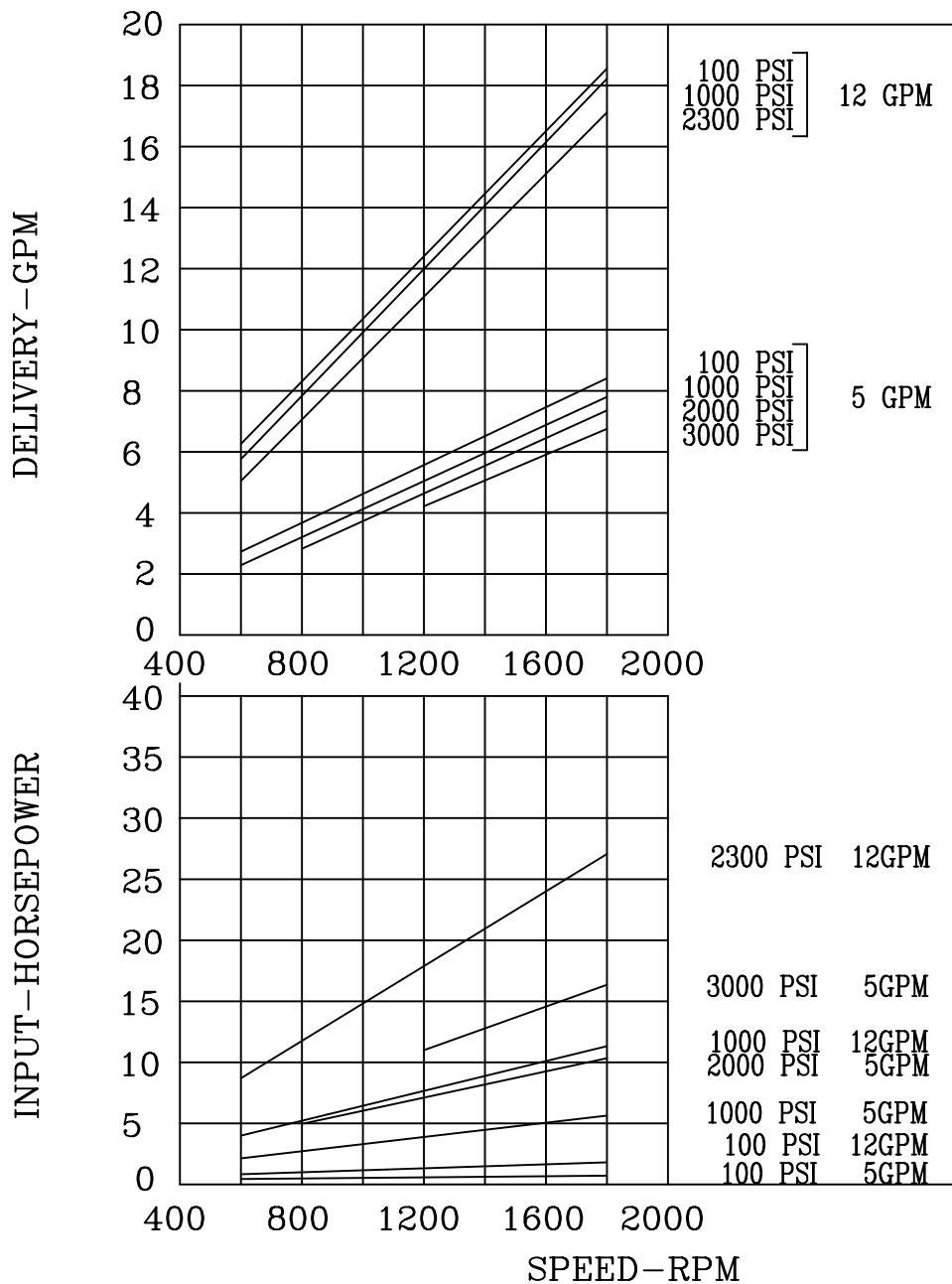
### PERFORMANCE CURVES

Ring Size - 5 & 12 GPM

\*\* 20V Double Pump - Cover End

Performance Constants  
 SAE 10W Fluid at 120°F.  
 Pump Inlet at 0" Hg.

5 & 12 GPM PUMPS

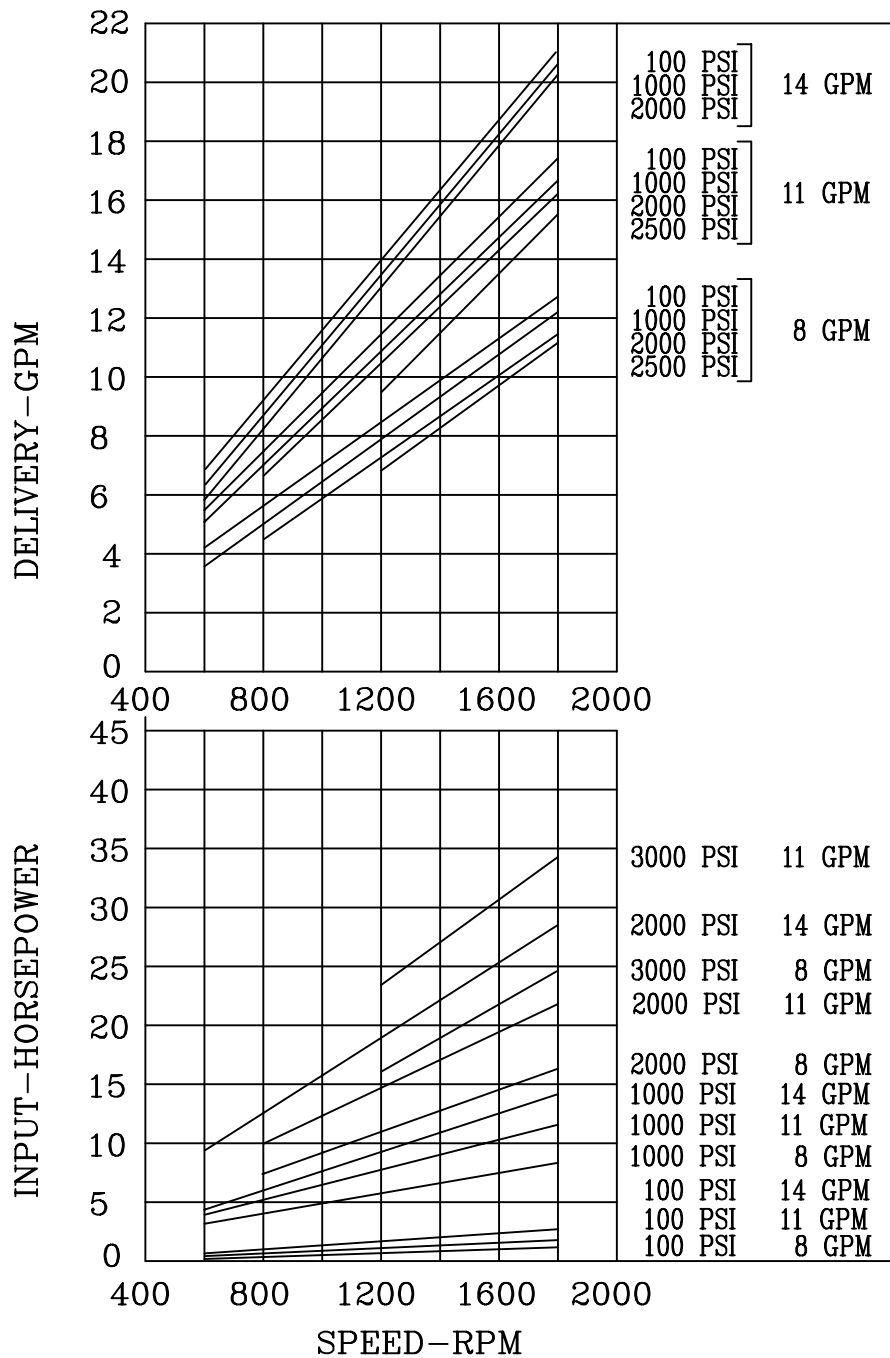


**PERFORMANCE CURVES**

Ring Size - 8, 11 & 14 GPM  
**\*\* 20V Double Pump - Cover End**

Performance Constants  
 SAE 10W Fluid at 120°F.  
 Pump Inlet at 0" Hg.

8, 11 & 14 GPM PUMPS



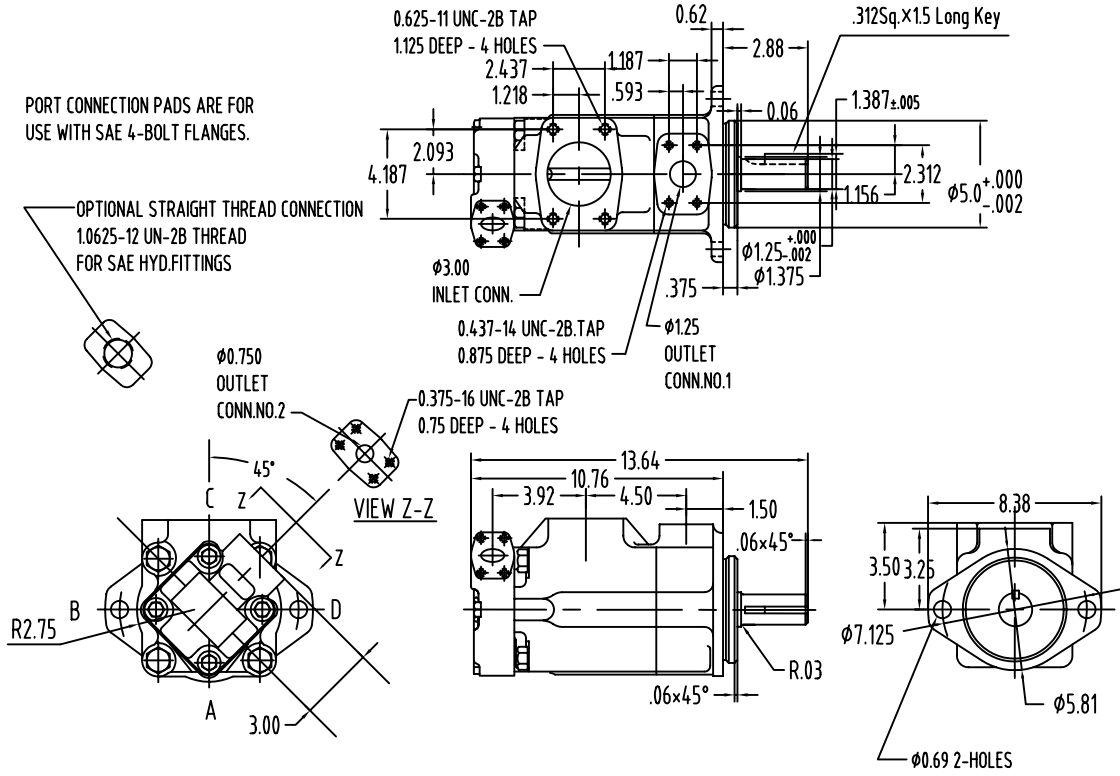
## INSTALLATION DIMENSIONS

### 3520V Double Pump

Dimensions in inches

PORT CONNECTION PADS ARE FOR USE WITH SAE 4-BOLT FLANGES.

OPTIONAL STRAIGHT THREAD CONNECTION  
1.0625-12 UN-2B THREAD  
FOR SAE HYD.FITTINGS



Code	Shaft Type
1	3/16 Straight Key
11	14T 12/24 Spline
86	HD Straight Key Shaft

Involute Spilne  
12/24 Diametral Pithch  
Flat Root-Major Dia. Fit  
14 Teeth-30° Pressure Angele  
1.0822 t.l.F. Dia.  
1.1667 Pitch Dia.  
1.4054<sup>+0.002</sup><sub>0</sub> Over .160 Dia. pins

Code1 3/16 Straight Key

Code11 13T 16/32 Spline Key

Code86 HD straight Key

