

MODEL CODE

(F3) 25 VQ 21 A(S) 11C 20 (L)

F3 - VITON SEALS

OMIT - STANDARD BUNA N

SERIES DESIGNATION

20VQ }
 25VQ } STANDARD
 35VQ } BEARING
 45VQ }

FLEX PLATE VANE TYPE PUMP

SAE RATED CAPACITY - GPM

(1200 rpm - 100 psi)

20VQ - 5, 8, 11, 12 & 14

25VQ - 12, 14, 17 & 21

35VQ - 25, 30, 35 & 38

45VQ - 42, 50 & 60

PORT CONNECTIONS

SERIES	CODE	INLET	OUTLET
ALL	A	SAE 4 - BOLT	SAE 4 - BOLT
ALL	AM	4 - BOLT	4 - BOLT
25VQ	B	SAE STR. THD.	SAE STR. THD.
25VQ	C	SAE 4 - BOLT	SAE STR. THD.
25VQ	D	SAE STR. THD.	SAE 4 - BOLT

MOUNTING & SHAFT SEAL ASSEMBLY

S - FLANGE MOUNT & DOUBLE SHAFT SEAL

OMIT - FOR FLANGE MOUNT & SINGLE SHAFT SEAL

SHAFT ROTATION

(VIEWED FROM SHAFT END)

L - LEFT HAND

OMIT - RIGHT HAND

DESIGN NUMBER

INLET POSITION VIEWED FROM COVER END

A - OPPOSITE OUTLET

B - 90° CLOCKWISE FROM OUTLET

C - INLINE WITH OUTLET

D - 90° COUNTERCLOCKWISE FROM OUTLET

SHAFTS

SINGLE SHAFT SEAL PUMPS

1 - STRAIGHT KEY

11 - SPLINED

86 - H.D. Straight KEY (45VQ)

DOUBLE SHAFT SEAL PUMPS

123 - SPLINED (SAME AS NO.11)

NOT AVAILABLE ON 45VQ

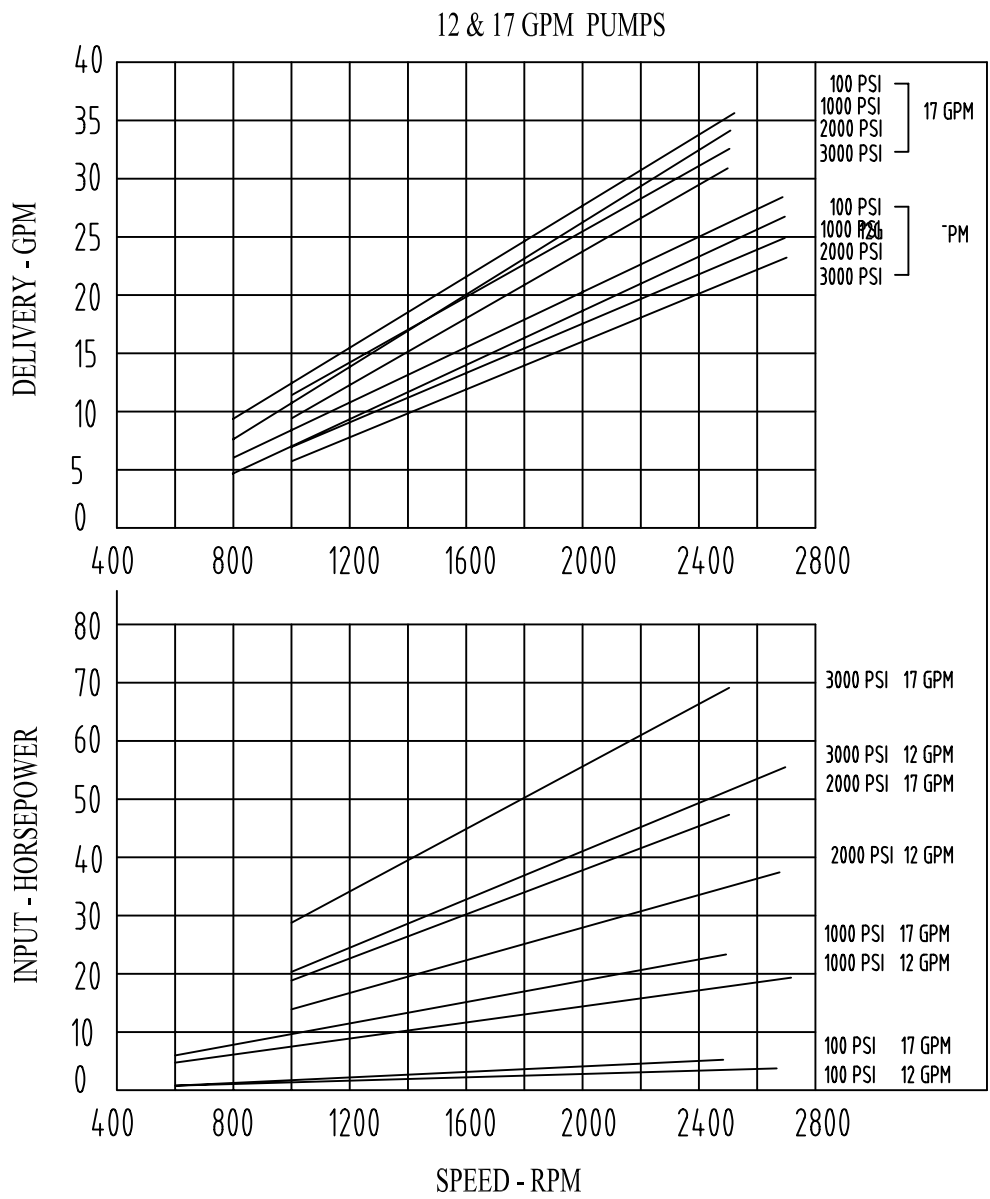
130 - SPLINED (SAME AS NO.11)

45VQ ONLY

PERFORMANCE CURVES

25VQ Single Pump(Ring Size 12 & 17 GPM)

Performance Constants
SAE 10W Fluid at 180°F.
Pump Inlet at 0" Hg.

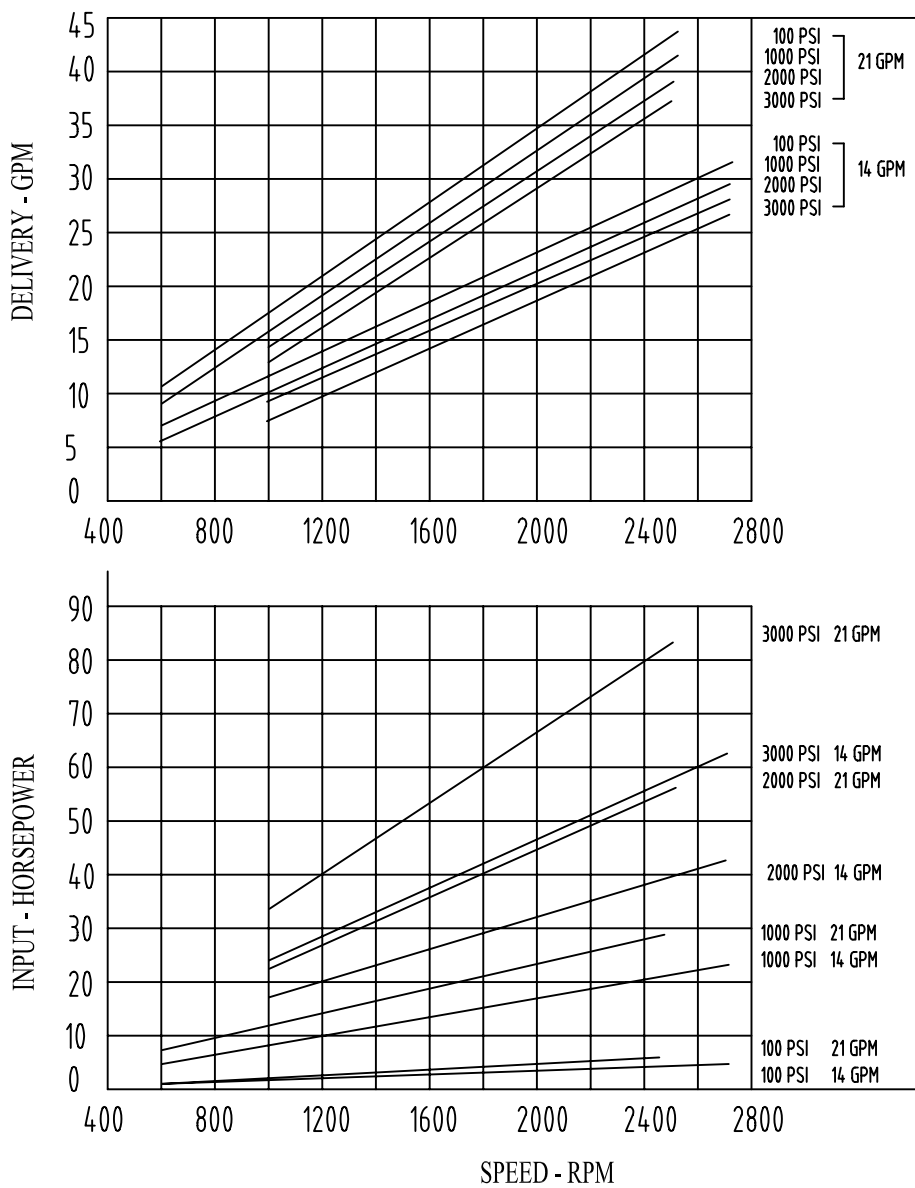


PERFORMANCE CURVES

25VQ Single Pump(Ring Size 14 & 21 GPM)

Performance Consistants
 SAE 10W Fluid at 180°F.
 Pump Inlet at 0" Hg.

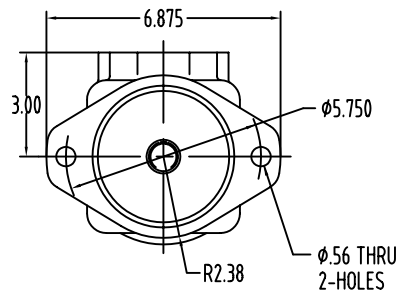
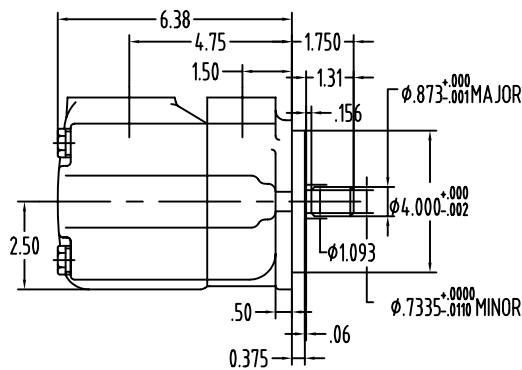
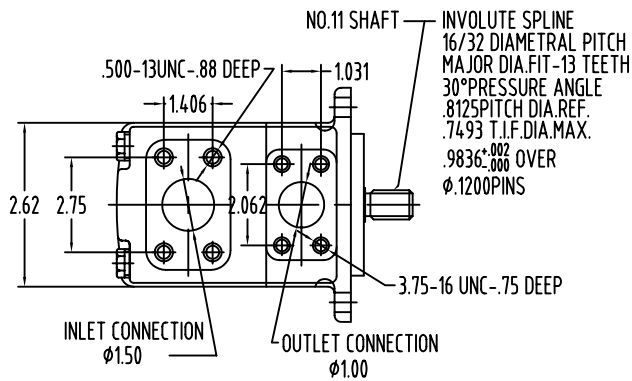
14 & 21 GPM PUMPS



INSTALLATION DIMENSIONS

25VQ Single Pump

Dimensions in inches

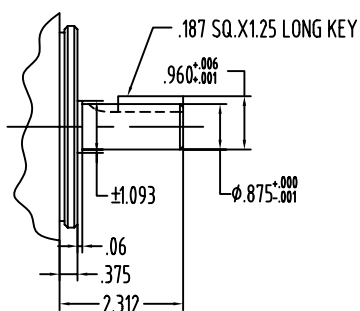


Code	Shaft Type
1	3/16 Straight Key
11	13T 16/32 Spline Key
86	HD Straight Key

Code1 3/16 Stralght Key

Code11 13T 16/32 Spllne Key

Code86 HD straight Key



**Reference The Above
Installation Dimensions**

