

### HOW TO ORDER

(F3) 25 V 21 A (F) 11 C 20 (L)

F3 - VITON SEALS

OMIT - STAND BUNA N

SERIES DESIGNATION

20V

25V STANDARD

35V BEARING

45V

V Series Vane Pump

Geometric Displacement

AT 1200 RPM,100 PSI

20V

5 GPM (1.10 in<sup>3</sup>/r)

8 GPM (1.67 in<sup>3</sup>/r)

9 GPM (1.85 in<sup>3</sup>/r)

11 GPM (2.22 in<sup>3</sup>/r)

12 GPM (2.47 in<sup>3</sup>/r)

14 GPM (2.78 in<sup>3</sup>/r)

35V

25 GPM (4.94 in<sup>3</sup>/r)

30 GPM (5.91 in<sup>3</sup>/r)

35 GPM (6.83 in<sup>3</sup>/r)

38 GPM (7.37 in<sup>3</sup>/r)

25V

12 GPM (2.47 in<sup>3</sup>/r)

14 GPM (2.78 in<sup>3</sup>/r)

17 GPM (3.39 in<sup>3</sup>/r)

21 GPM (4.13 in<sup>3</sup>/r)

45V

42 GPM (8.41 in<sup>3</sup>/r)

50 GPM (8.95 in<sup>3</sup>/r)

45 GPM (9.85 in<sup>3</sup>/r)

60 GPM (11.75 in<sup>3</sup>/r)

Port connections

A -SAE 4-Bolt. (Inch Thread port connection)

Rotation(viewed from shaft end)

L-Left hand rotation.

OMit - for right hand rotation.

Design Number

Outlet Position

(viewed from cover end)

A-Outlet opposite inlet.

B-Outlet 90° counterclock-wise from inlet.

C-Outlet in line with inlet.

D-Outlet 90° clockwise from inlet.

Shafts

1 -Straight key

11- Spline Key

86-H.D. Straight key

Mounting

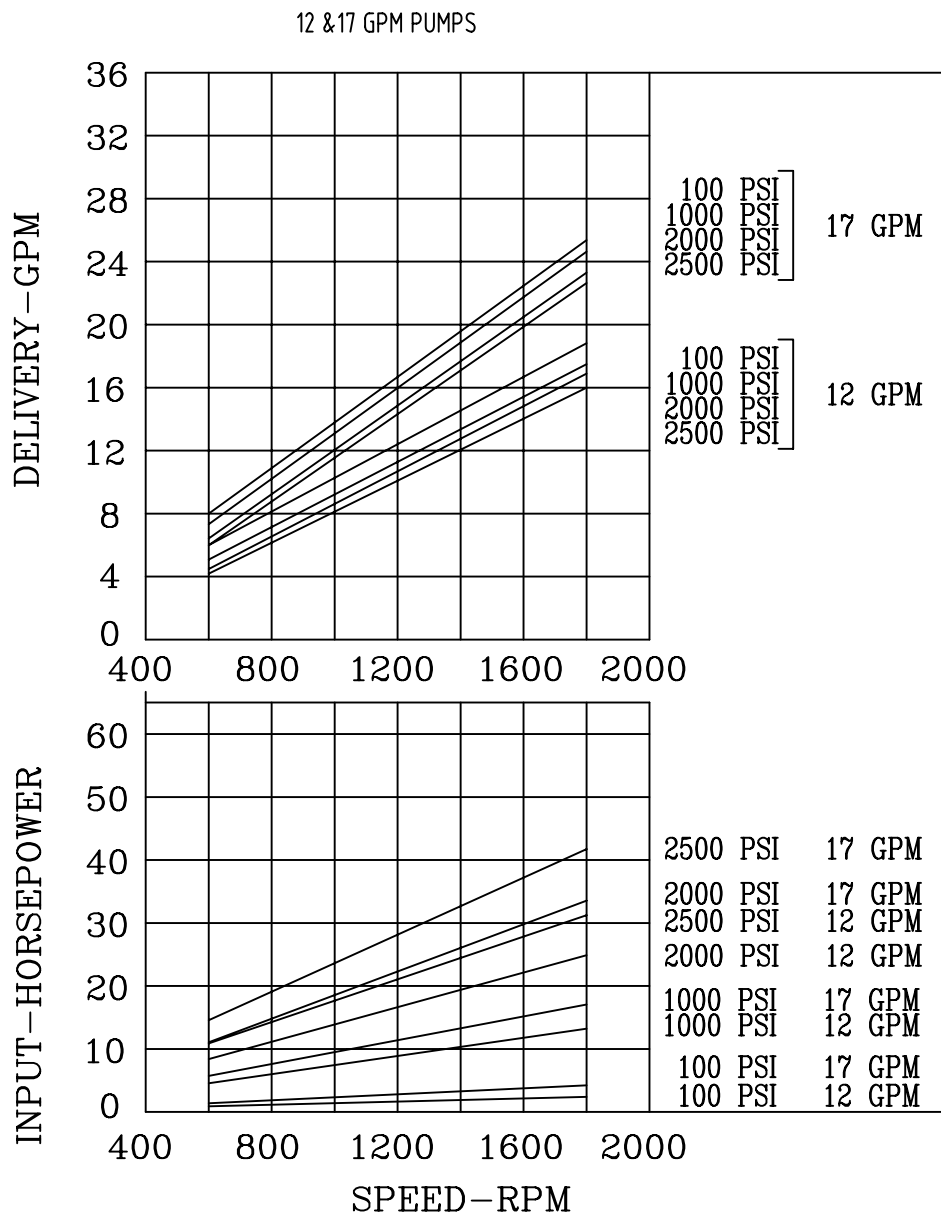
OMIT - Flange mounting

F - Foot mounting

## PERFORMANCE CURVES

### 25V Single Pump (Ring Size - 12 & 17 GPM)

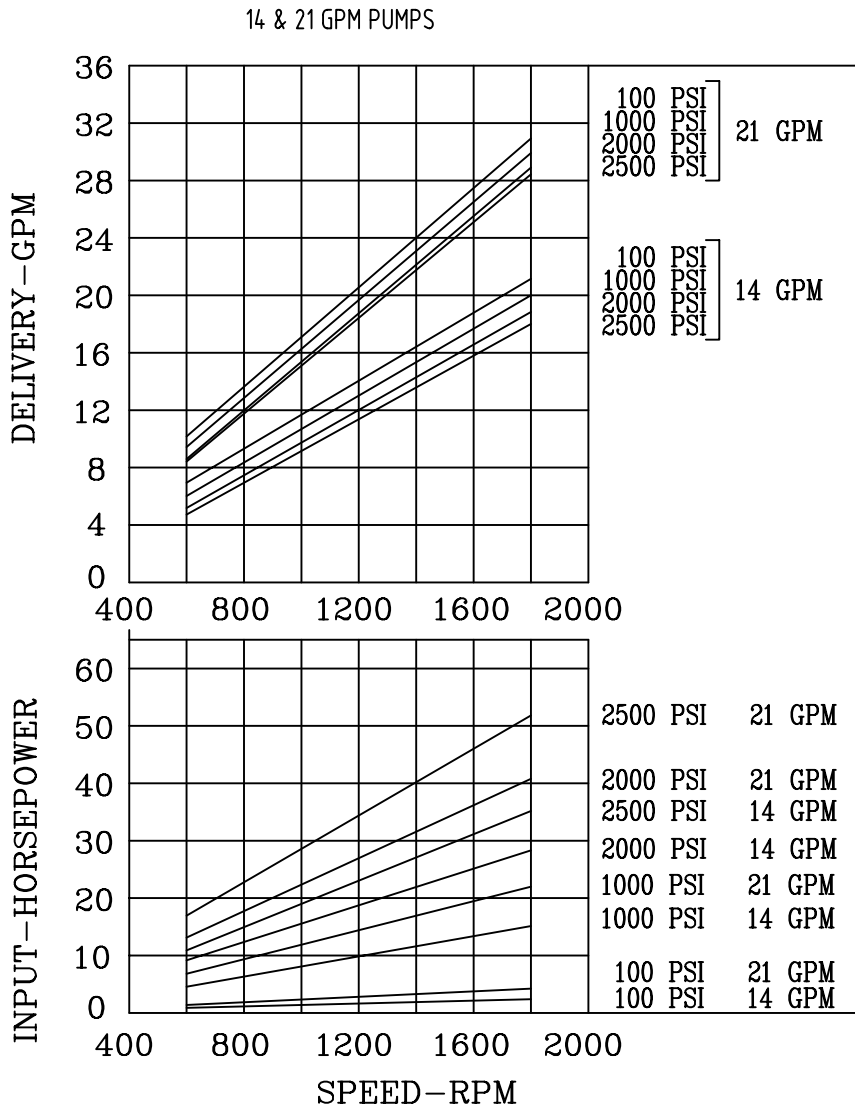
Performance Conditions  
 SAE 10W Fluid at 120°F.  
 Pump Inlet at 0" hg.



## PERFORMANCE CURVES

### 25V Single Pump (Ring Size - 14 & 21 GPM)

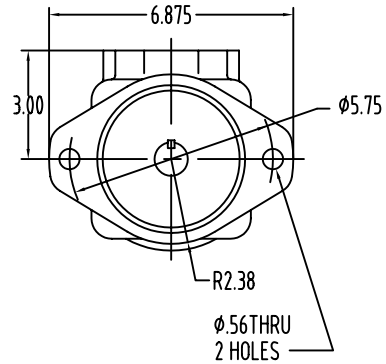
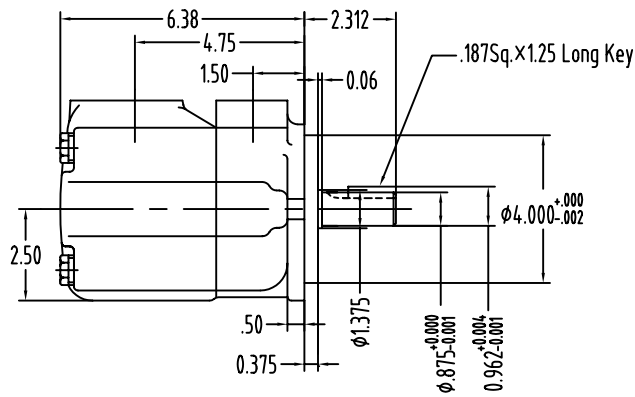
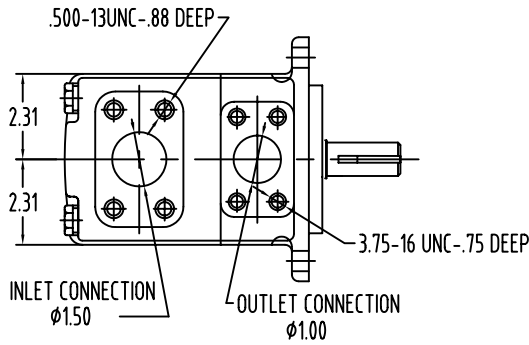
Performance Constants  
 SAE 10W Fluid at 120°F.  
 Pump Inlet at 0" hg.



## INSTALLATION DIMENSIONS

### 25V Single Pump

Dimensions in inches



Code	Shaft Type
1	3/16 Straight Key
11	13T 16/32 Spline Key
86	HD Straight Key

Involute Spilne  
16/32 Diametral Pithch  
Flat Root-Major Dia. Fit  
13 Teeth-30° Pressure Angele

**Code1 3/16 Straight Key**

**Code11 13T 16/32 Spline Key**

**Code86 HD straight Key**

Reference The above  
Installation Dimintions

